



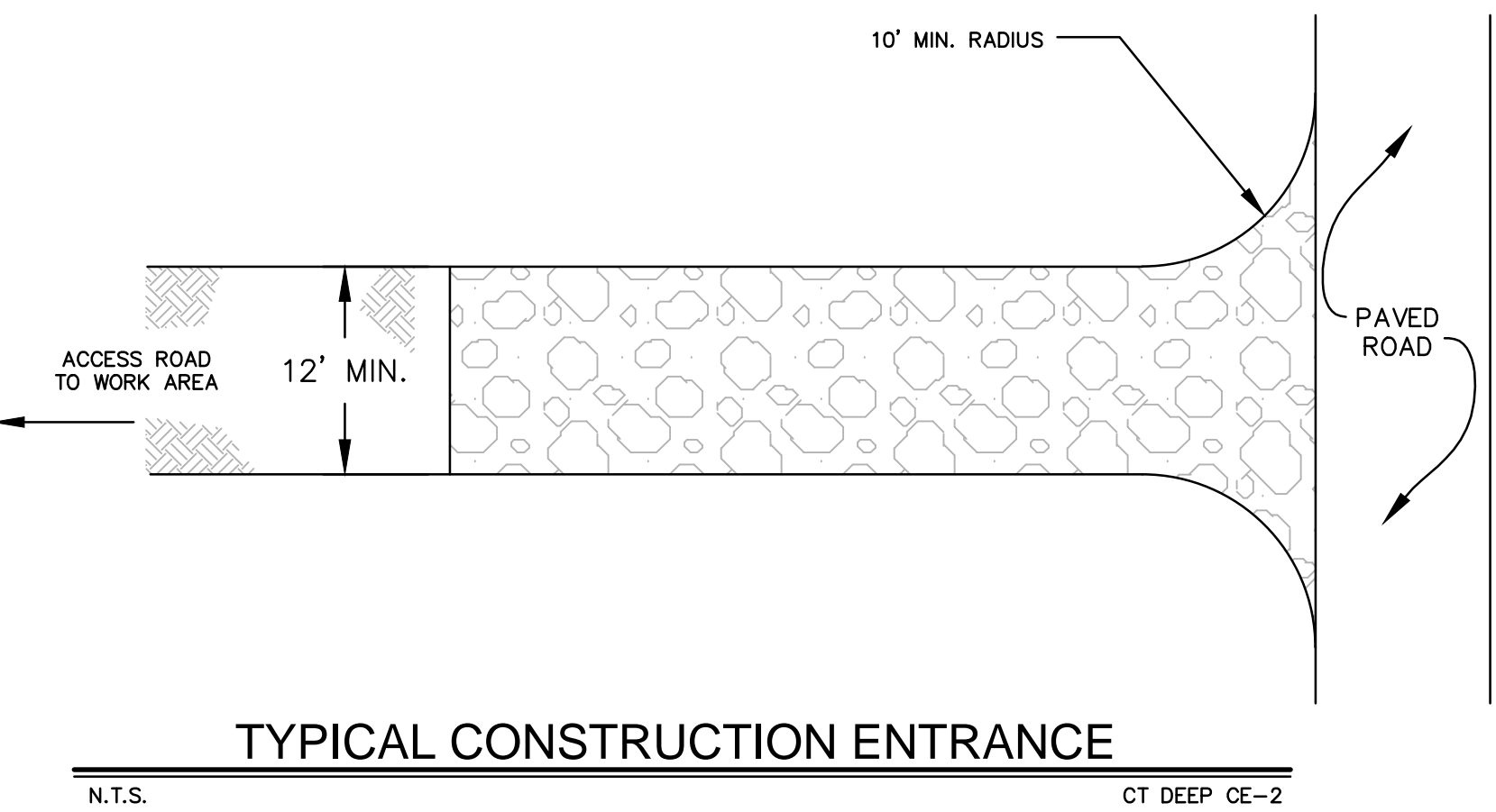
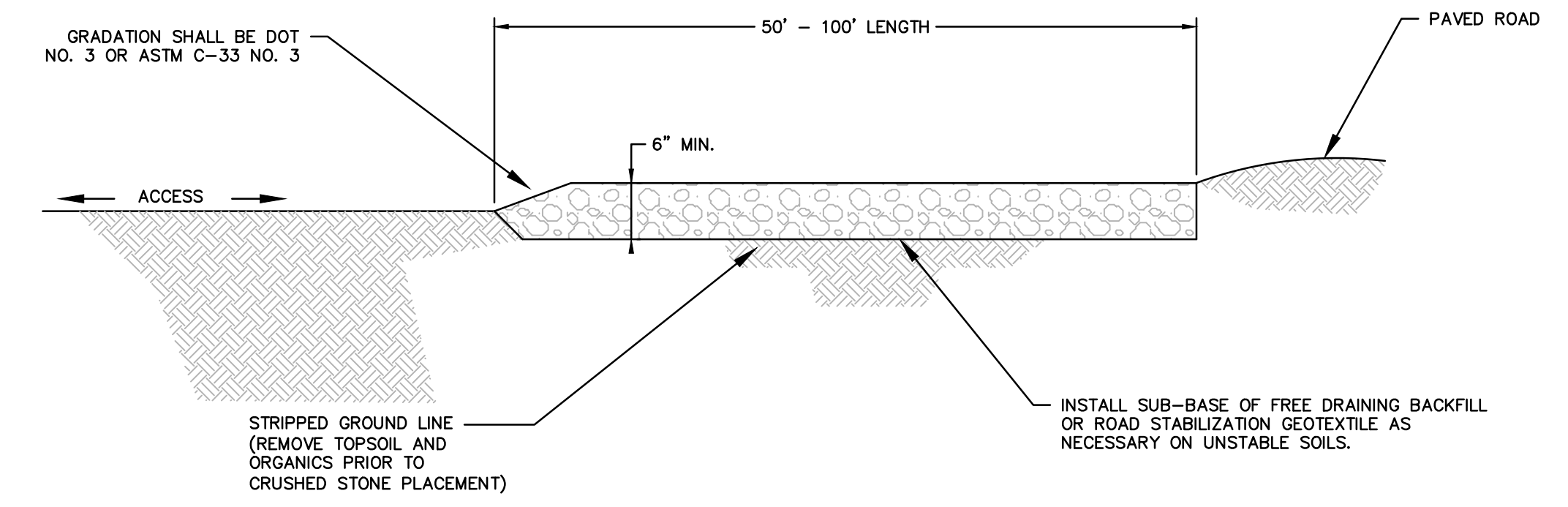
REVISIONS
 No. Date Description
 1. 1/22/16 GENERAL REVISION
 2. 2/24/16 REVISED PER REVIEW COMMENTS

Designed E.C.P.
 Drawn K.A.K.
 Checked M.A.A.
 Approved ---
 Scale 1"=40'
 Project No. 14C4892
 Date 1/4/16

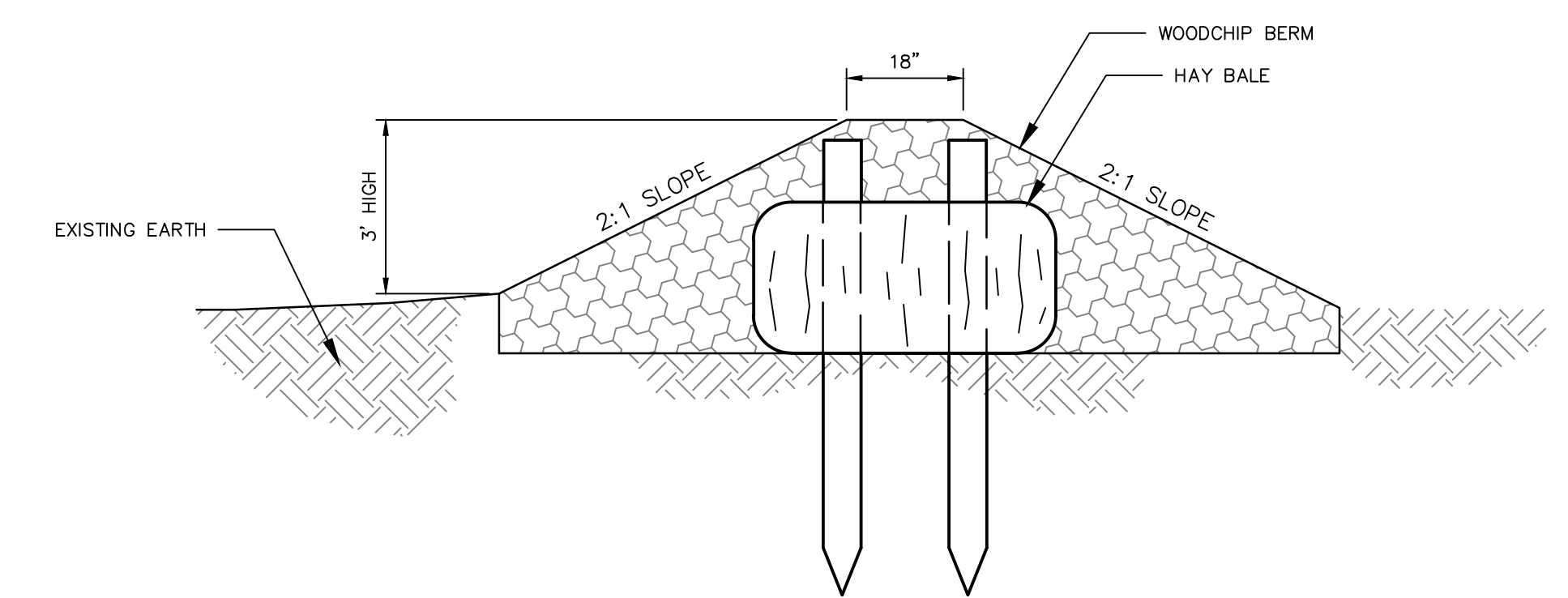
CAD File: EC14C489201
 Title: EROSION AND SEDIMENTATION CONTROL DETAILS

Sheet No.

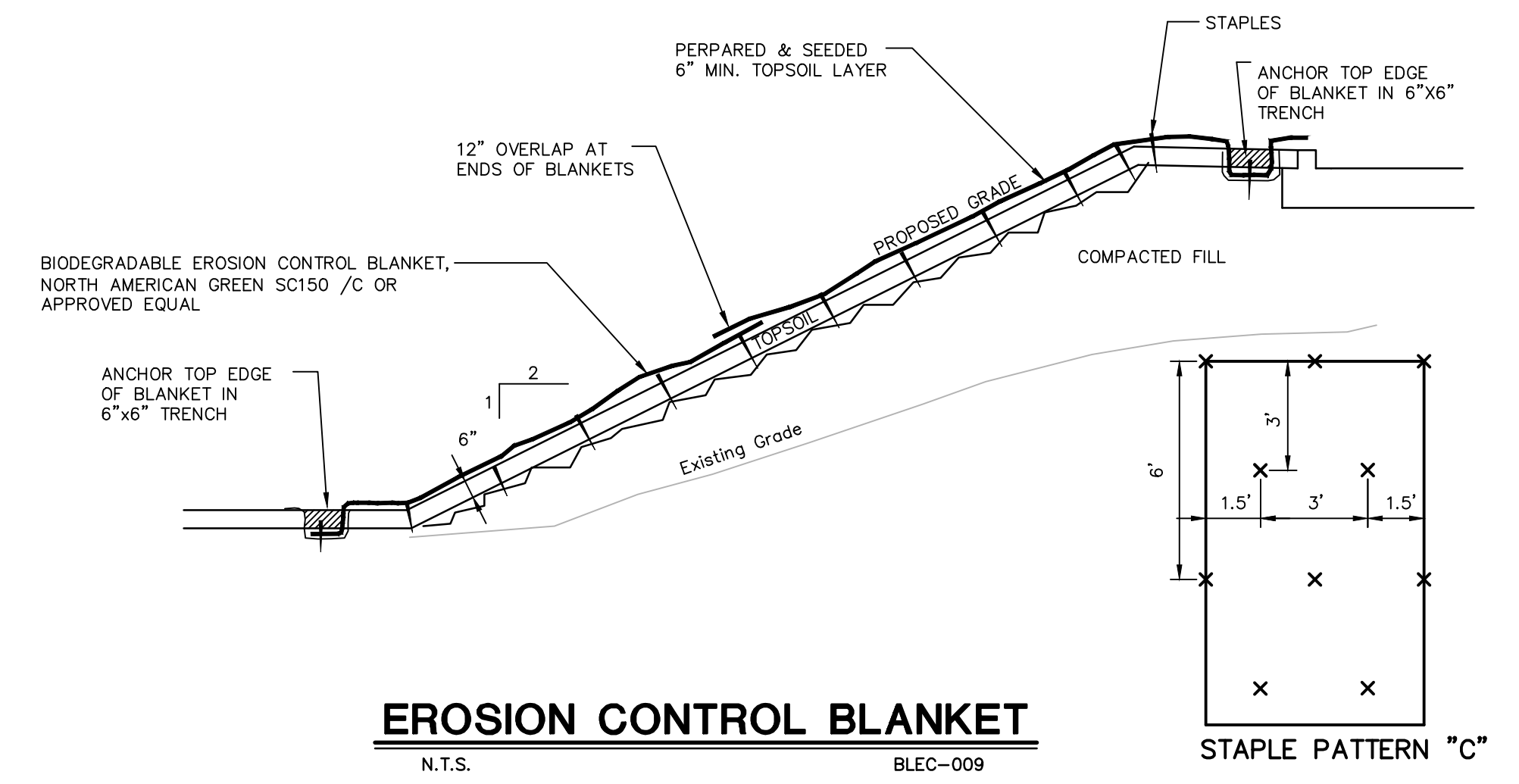
**FOR PERMITTING PURPOSES ONLY
 NOT RELEASED FOR CONSTRUCTION**



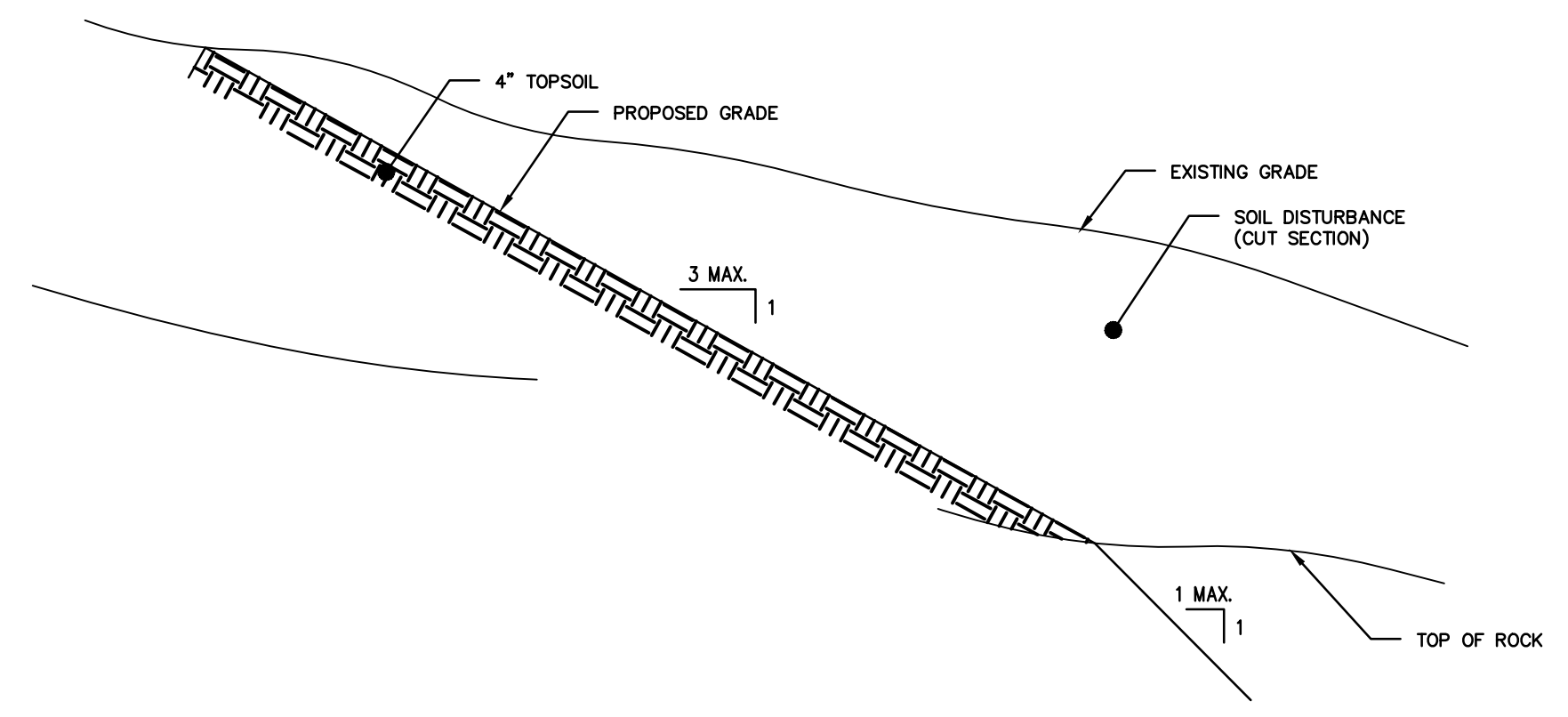
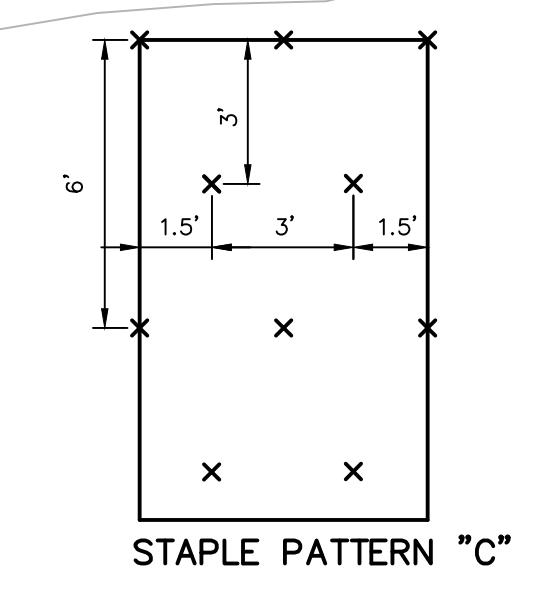
N.T.S. CT DEEP CE-2



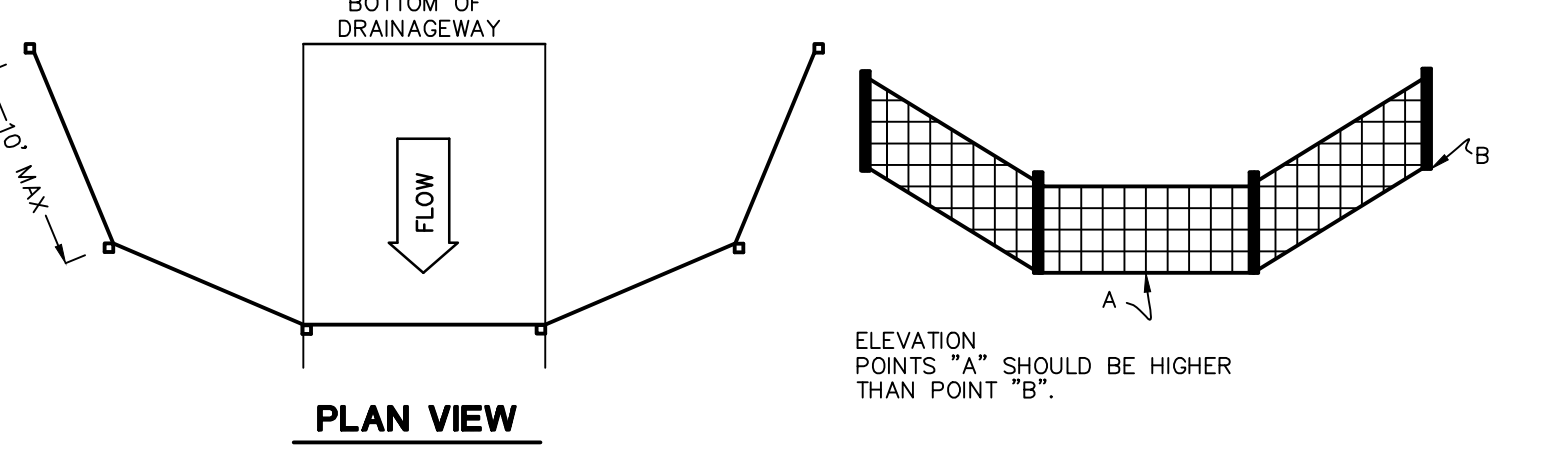
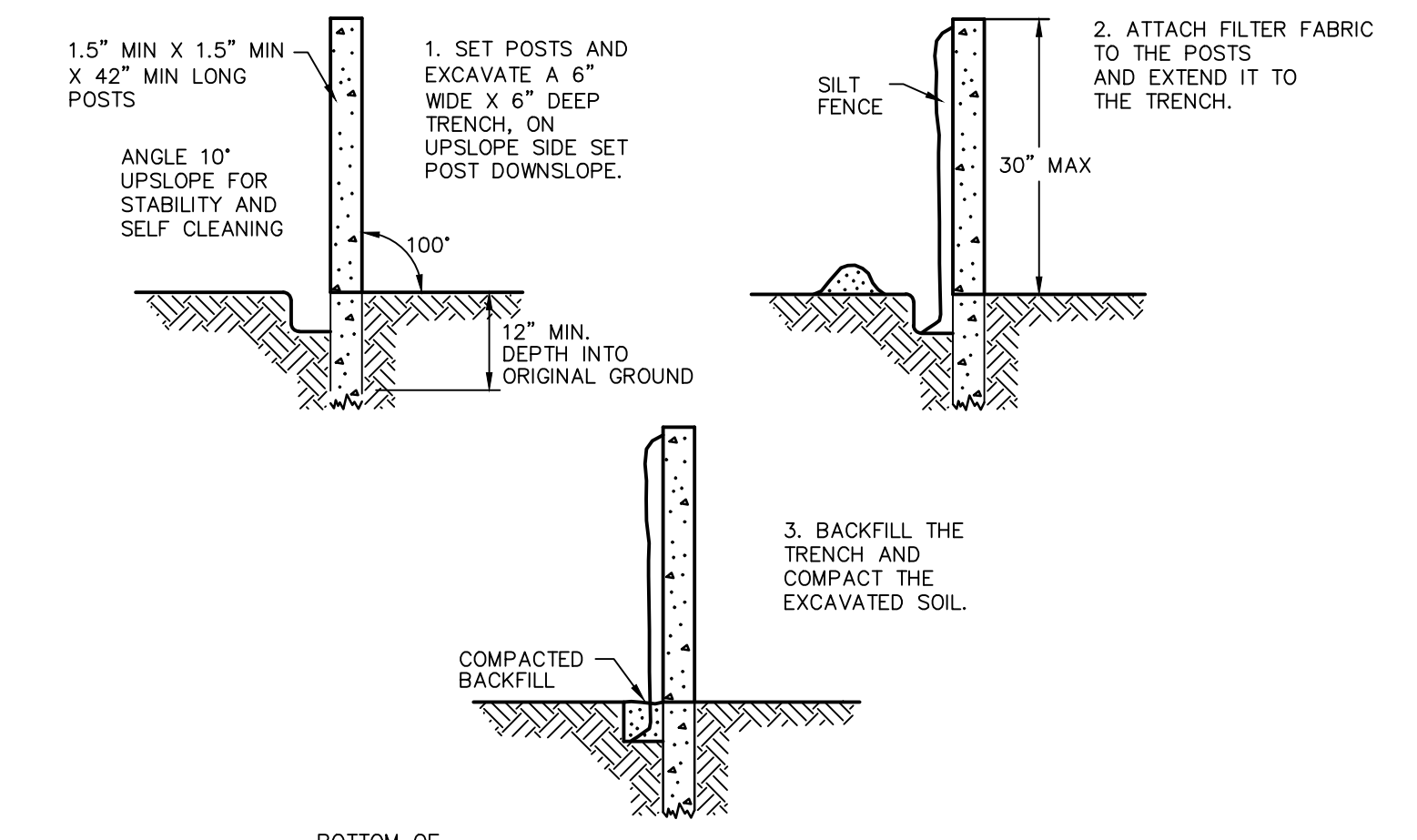
N.T.S.



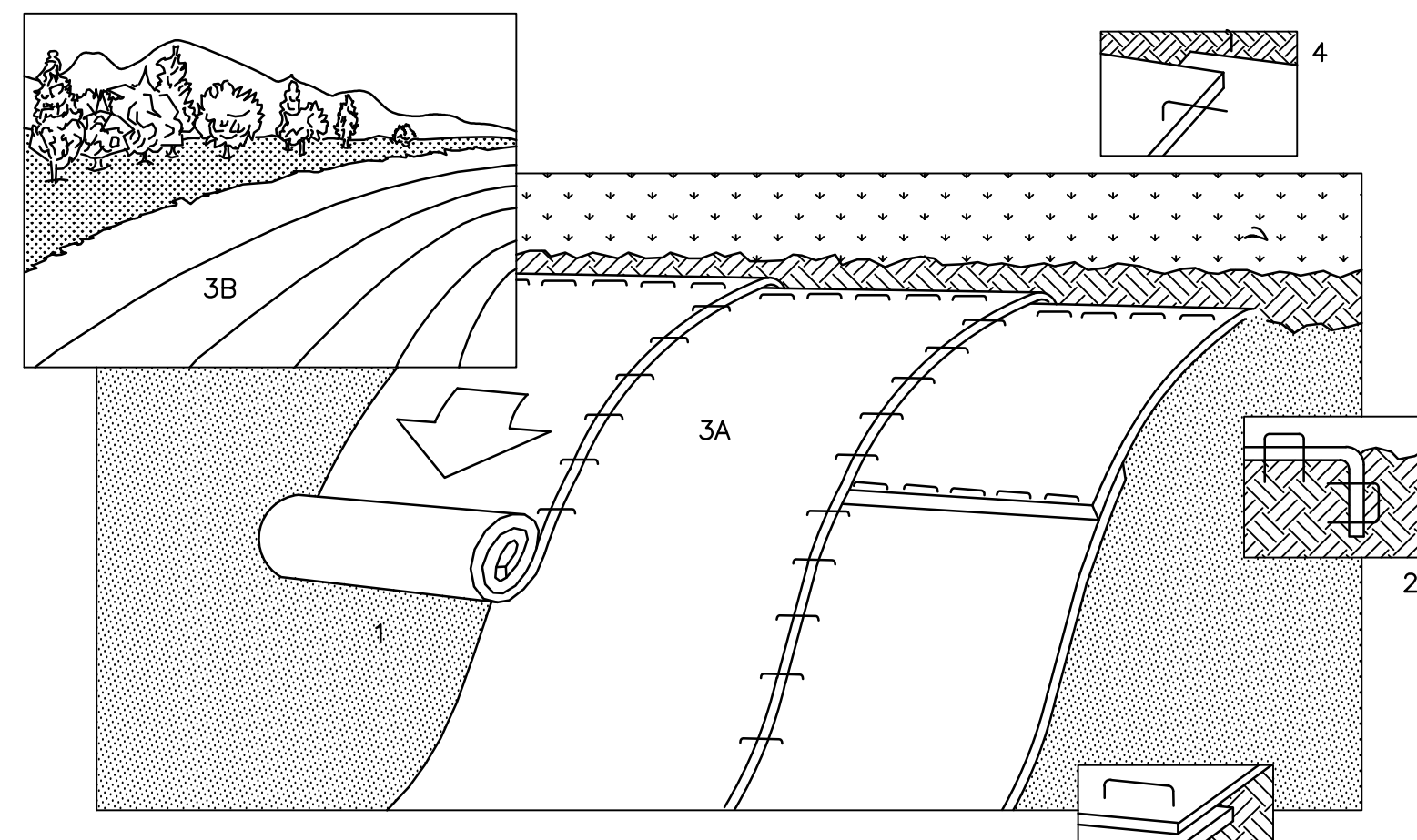
N.T.S. BLEC-009



N.T.S.

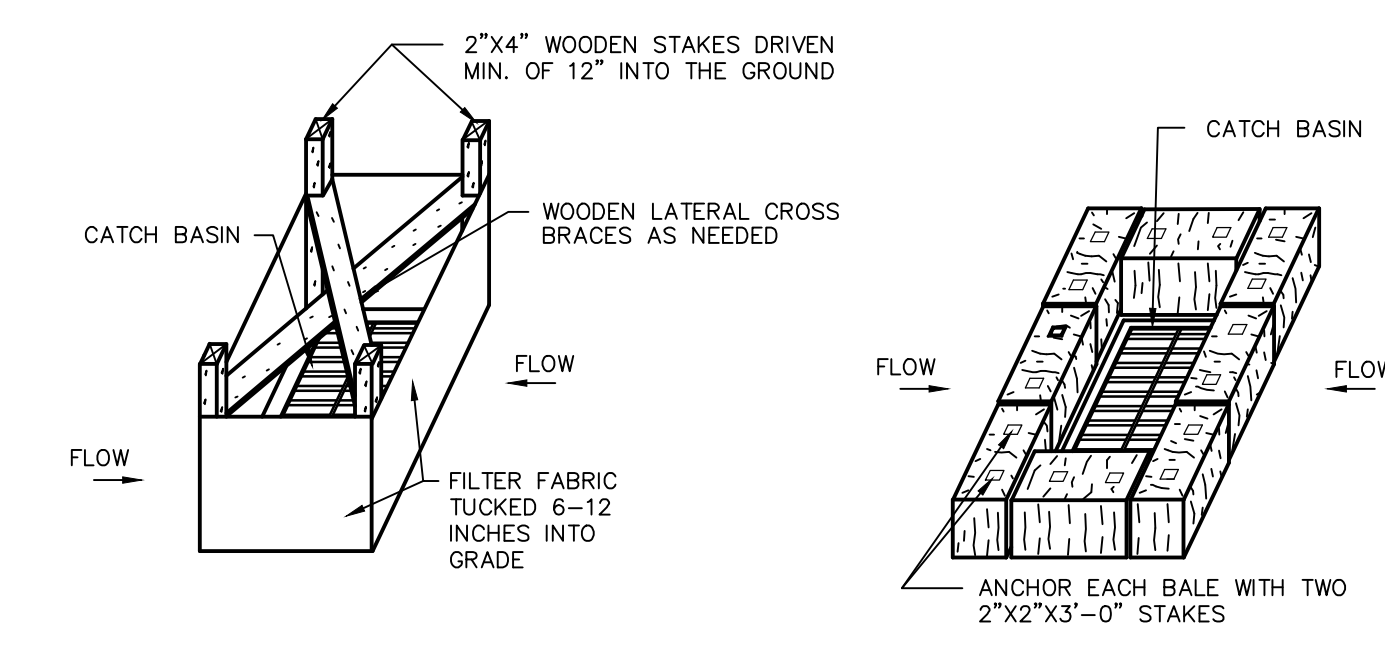


N.T.S. CTEC-003



1. PREPARE SOIL BEFORE INSTALLING BLANKETS, INCLUDING APPLICATION OF LIME, FERTILIZER, AND SEED.
2. BEGIN AT THE TOP OF THE SLOPE BY ANCHORING THE BLANKET IN 6" DEEP X 6" WIDE TRENCH. BACKFILL AND COMPACT THE TRENCH AFTER STAPLING.
3. ROLL THE BLANKETS (A) DOWN OR (B) HORIZONTALLY ACROSS THE SLOPE.
4. THE EDGES OF PARALLEL BLANKETS MUST BE STAPLED WITH APPROXIMATELY 2" OVERLAP.
5. WHEN BLANKETS MUST BE SPLICED DOWN THE SLOPE, PLACE BLANKETS END OVER END (SHINGLE STYLE) WITH APPROXIMATELY 4" OVERLAP. STAPLE THROUGH OVERLAPPED AREA, APPROXIMATELY 12" APART.

N.T.S. BLEC-010



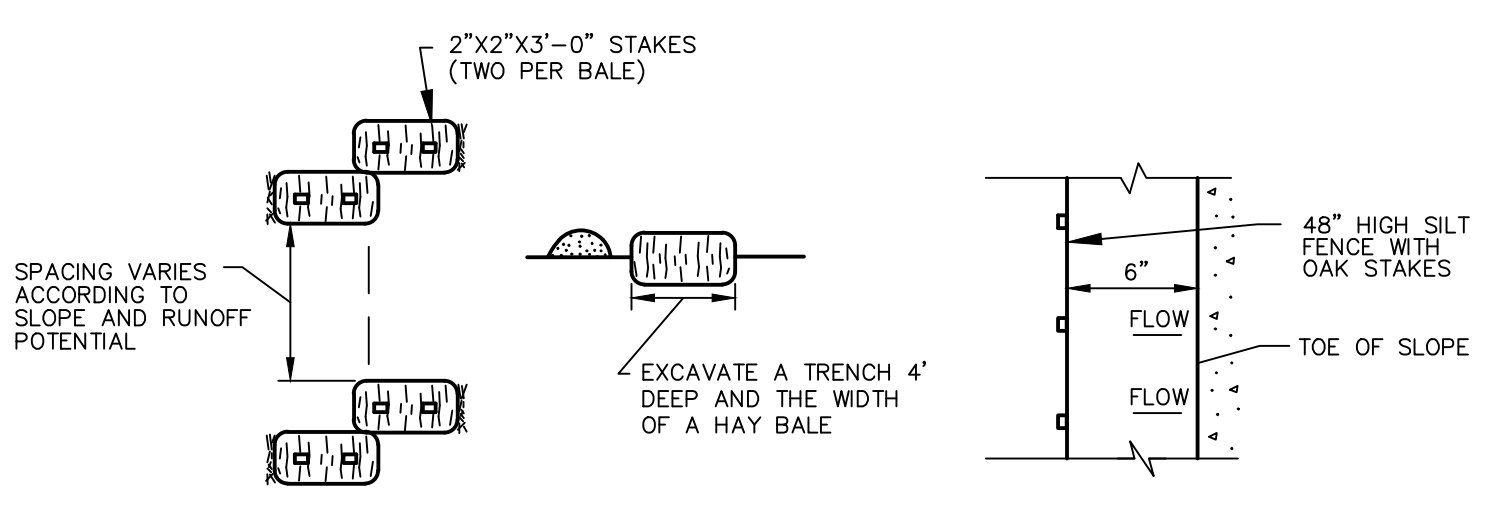
SILT FENCE INSTALLATION AT CATCH BASINS AT LOW POINTS

STORMWATER INLETS WHICH DO NOT DISCHARGE TO SEDIMENT TRAPS OR BASINS, MUST BE PROTECTED UNTIL THE TRIBUTARY AREAS ARE STABILIZED.
 SEDIMENT MUST BE REMOVED FROM INLET PROTECTION AFTER EACH STORM EVENT.

HAY BALE FILTER INSTALLATION AT CATCH BASIN AT LOW POINTS

CATCH BASIN EROSION CONTROL

N.T.S. BLEC-012



PLAN VIEW

PLAN VIEW



SECTION VIEW

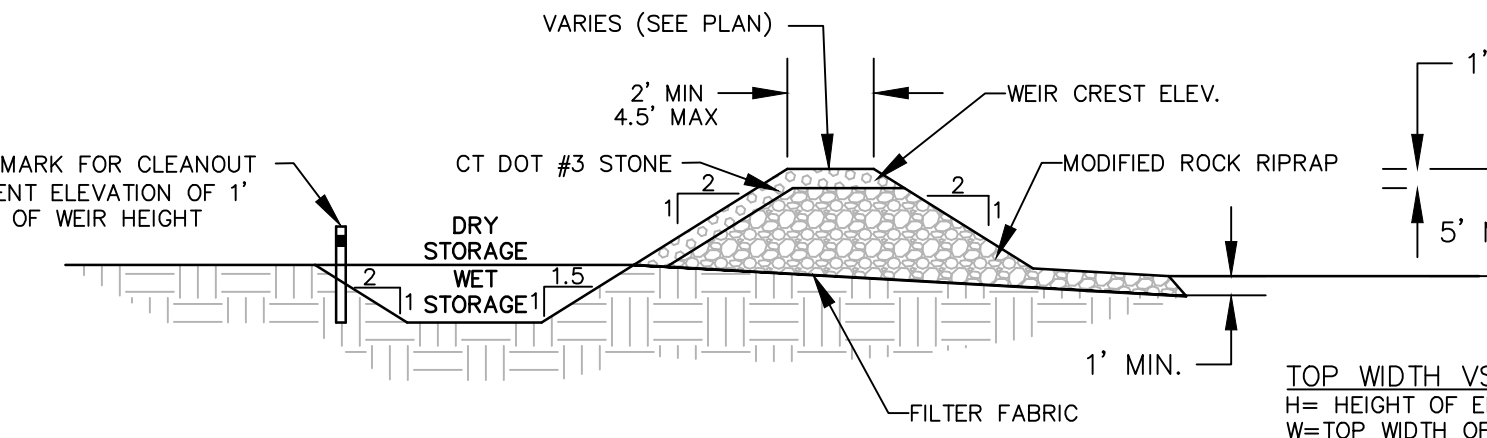
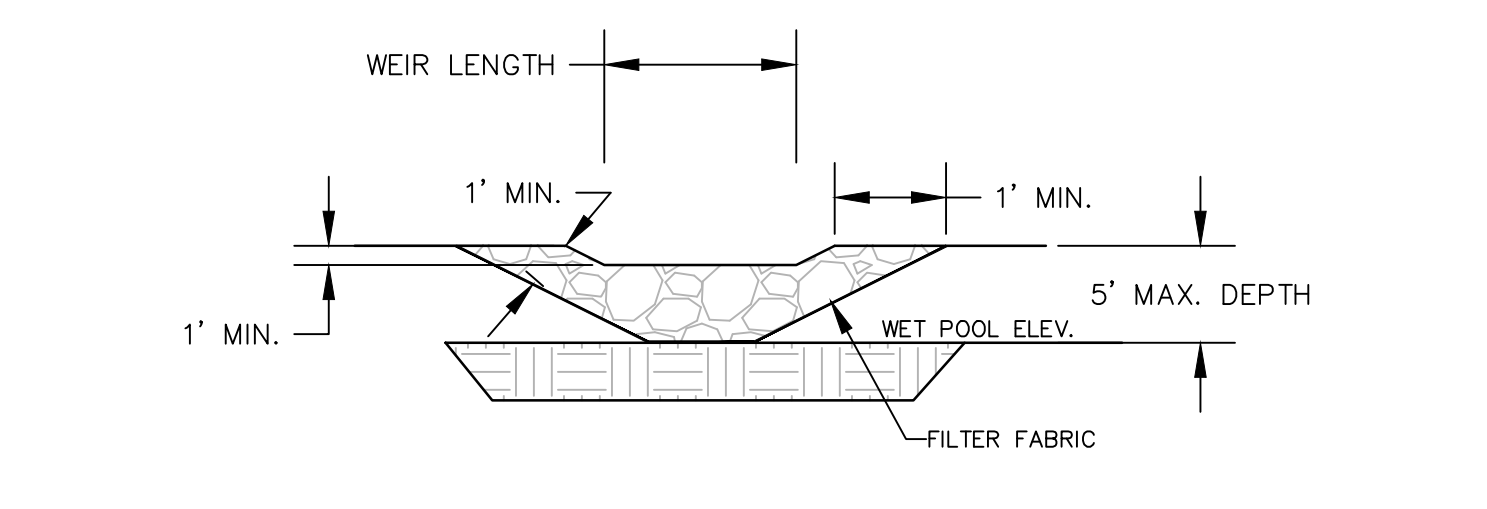
SECTION VIEW

HAY BALE BERM DETAIL

SILT FENCE DETAIL

EROSION PROTECTION DEVICES

N.T.S. CTEC-002



- NOTE:
1. ALL DETAIL INFORMATION SHOULD BE USED AS A GUIDELINE. ALL TEMPORARY SEDIMENT TRAPS MUST CONFORM TO THE CT DEEP 2002 GUIDELINES FOR SOIL EROSION AND SEDIMENT CONTROL MANUAL.
 2. THE VOLUME OF THE WET STORAGE SHALL BE AT LEAST TWICE THE VOLUME OF THE SEDIMENT STORAGE VOLUME AND SHALL BE DESIGNED TO A MINIMUM DEPTH OF 2 FEET, PER CT DEEP 2002 CONNECTICUT GUIDELINES FOR SOIL EROSION AND SEDIMENT CONTROL MANUAL.

TEMPORARY SEDIMENT TRAP

N.T.S. BLEC-002

| TOP WIDTH VS. HEIGHT | H (ft) | W (ft) |
|----------------------|--------|--------|
| 1.5 | 2.0 | 2.0 |
| 2.0 | 2.0 | 2.0 |
| 2.5 | 2.5 | 2.5 |
| 3.0 | 2.5 | 2.5 |
| 3.5 | 3.0 | 3.0 |
| 4.0 | 3.0 | 3.0 |
| 4.5 | 4.0 | 4.0 |
| 5.0 | 4.5 | 4.5 |