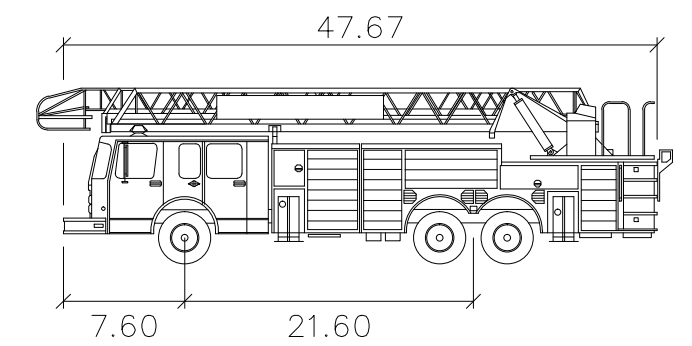
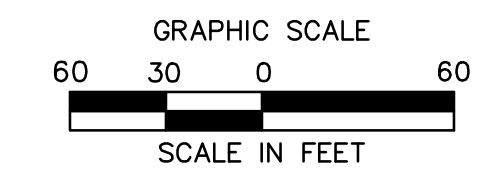
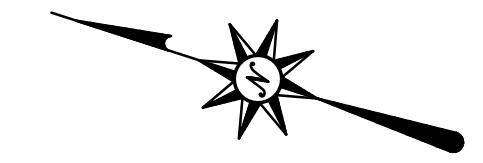
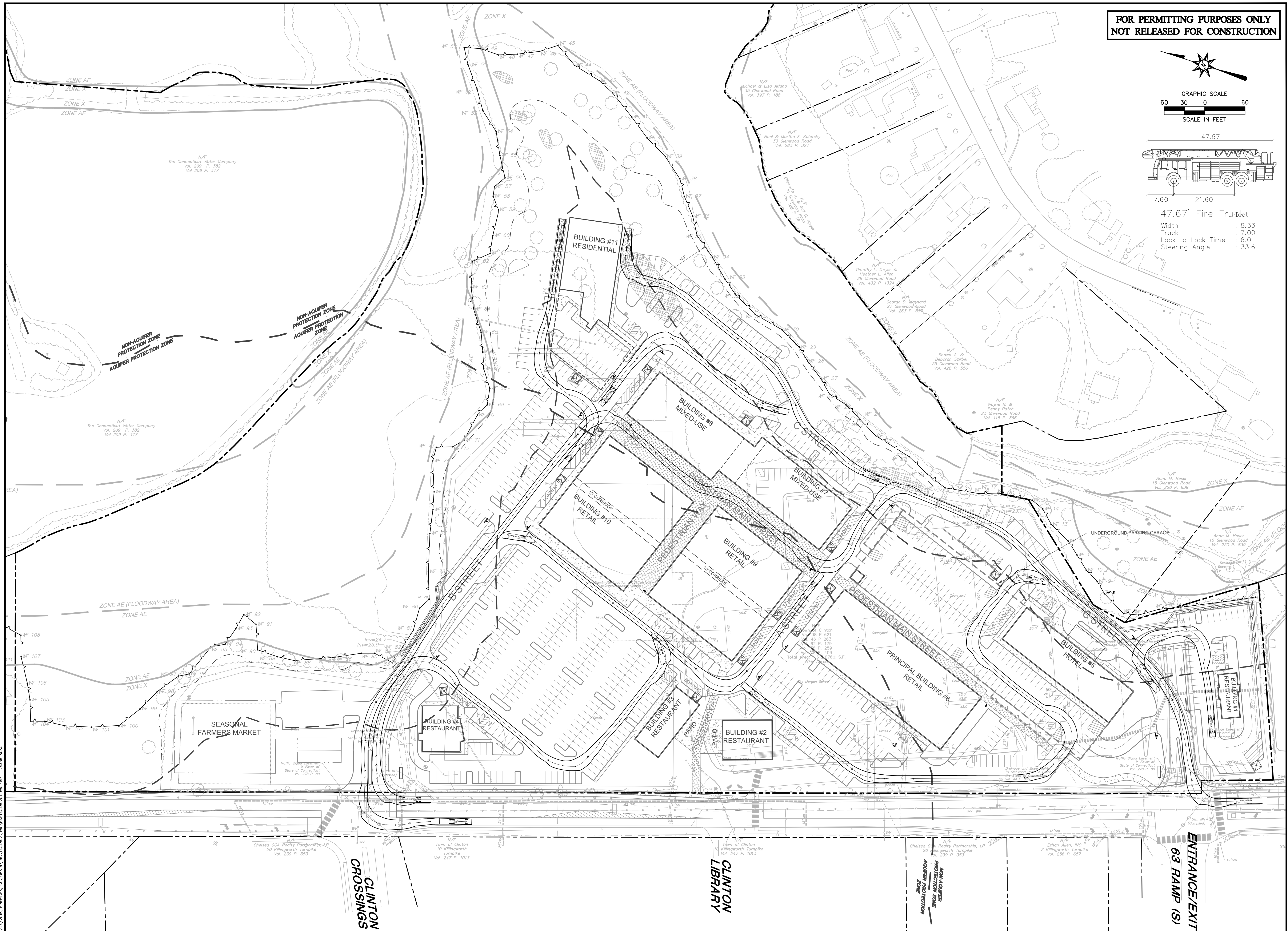


**FOR PERMITTING PURPOSES ONLY  
NOT RELEASED FOR CONSTRUCTION**



47.67' Fire Truck  
Width : 8.33  
Track : 7.00  
Lock to Lock Time : 6.0  
Steering Angle : 33.6



**BL Companies**  
ARCHITECTURE  
ENGINEERING  
ENVIRONMENTAL  
LAND SURVEYING

355 Research Parkway  
Meriden, CT 06450  
(203) 630-1406  
(203) 630-2615 Fax



**THE VILLAGE AT MILL POND**  
11 KILLINGWORTH TURNPIKE  
CLINTON, CONNECTICUT 06413

REVISIONS	DATE	REVISION
1.	1/22/16	GENERAL REVISION
2.	2/24/16	REVISED PER REVIEW COMMENTS

Designed: E.C.P.  
Drawn: M.A.A.  
Checked: M.C.C.  
Approved: ---  
Scale: 1"=60'  
Project No: 14C4892  
Date: 1/4/16

CAD File: FAP14C489201

Title: FIRE ACCESS PLAN

Sheet No.

**FAP-1**

2/24/2016, 10:00 AM, E:\PROJECTS\14C4892\DWG\FAP14C489201.DWG, PLOT=1, 24X36, 60SC.