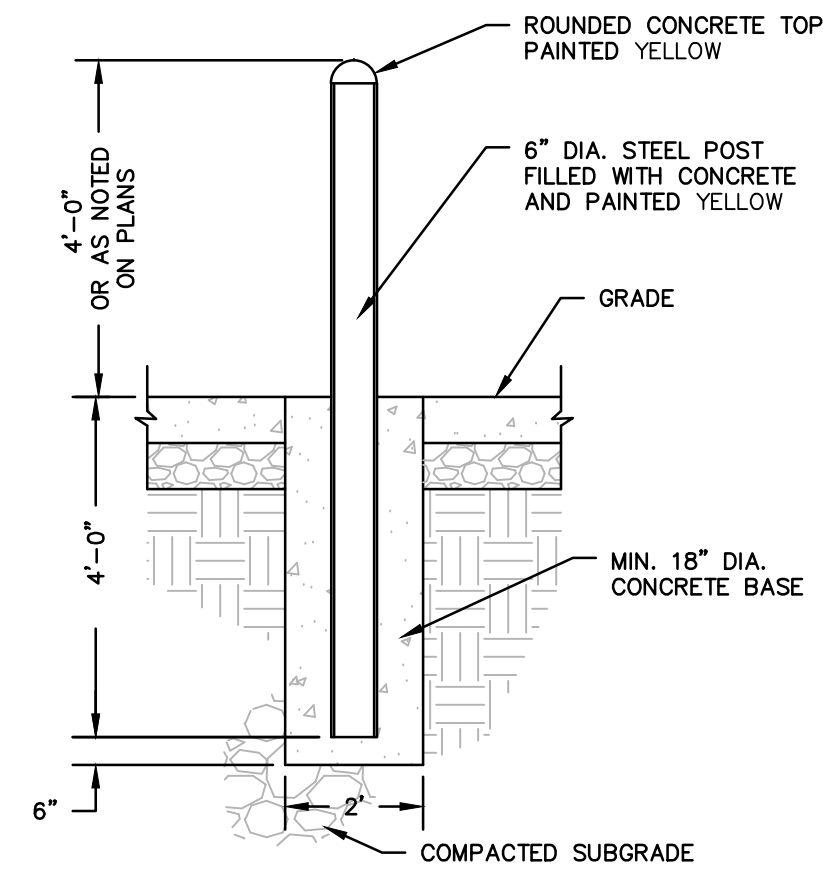


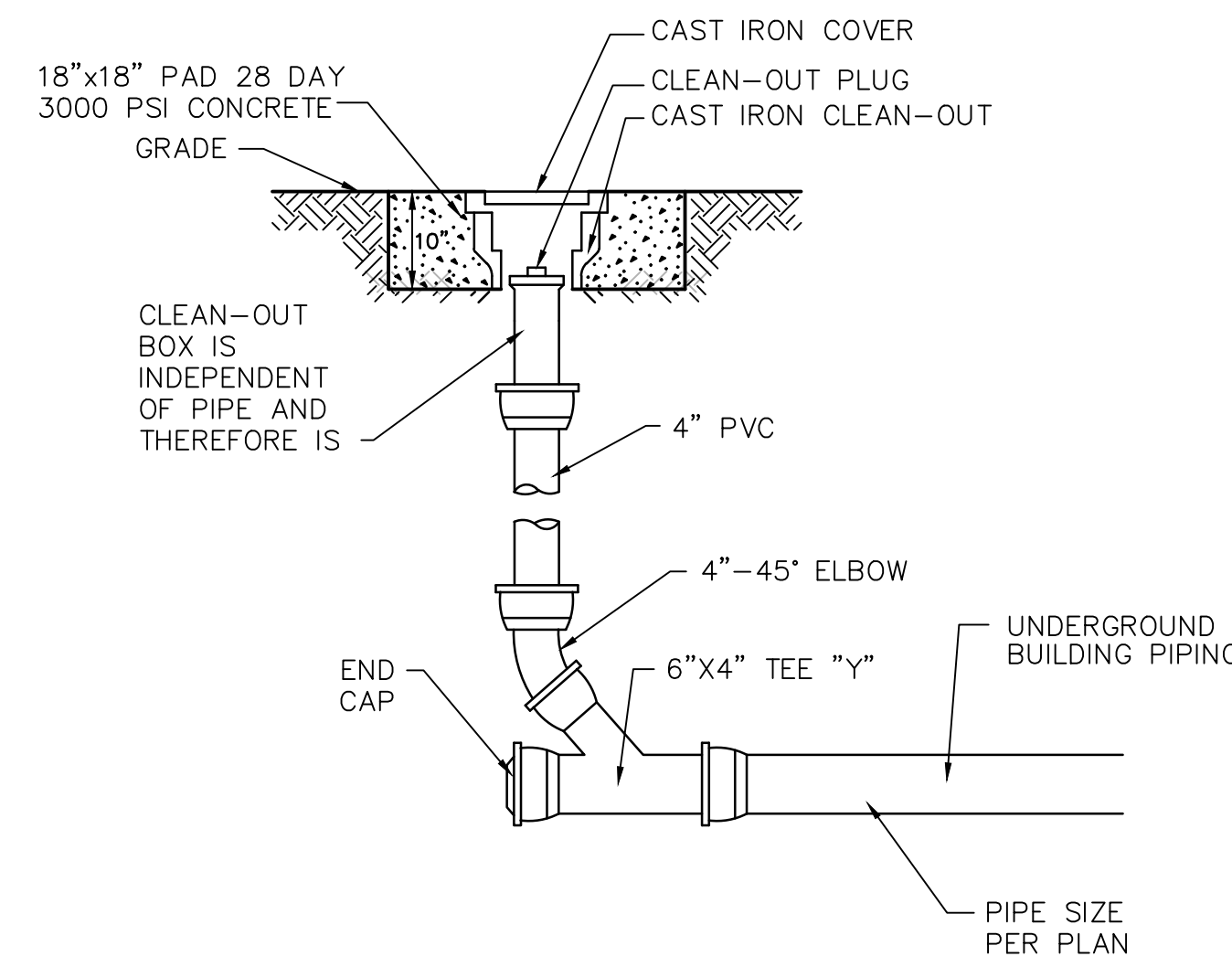
4' DIAMETER PRECAST CONCRETE STORM DRAINAGE MANHOLE

N.T.S.



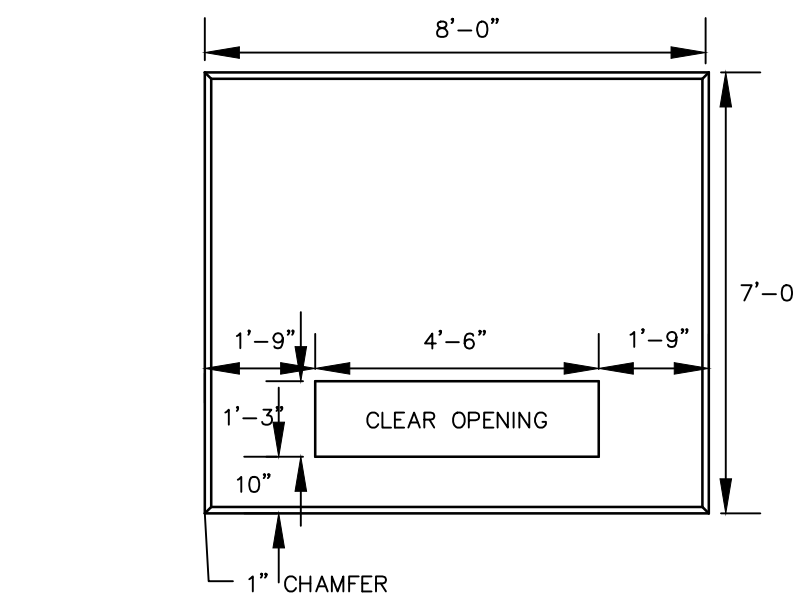
6" STEEL PROTECTIVE BOLLARD DETAIL

N.T.S.

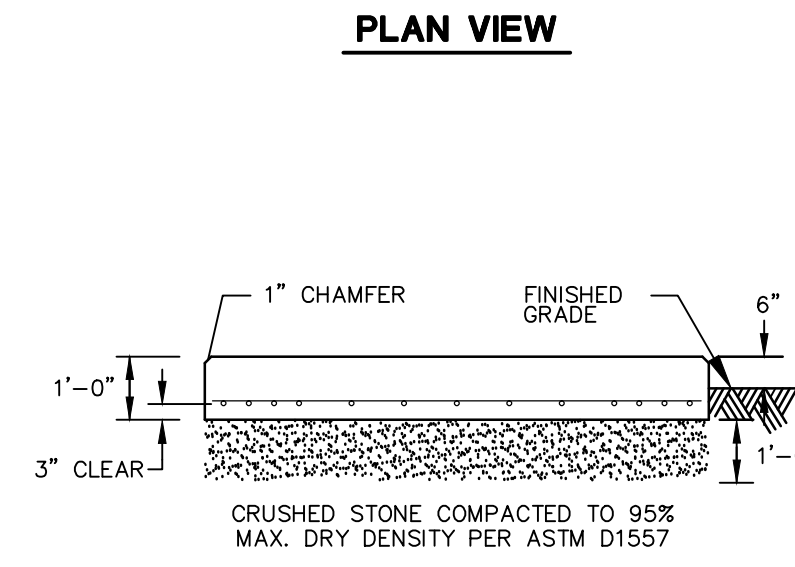


STORM CLEANOUT DETAIL

N.T.S.

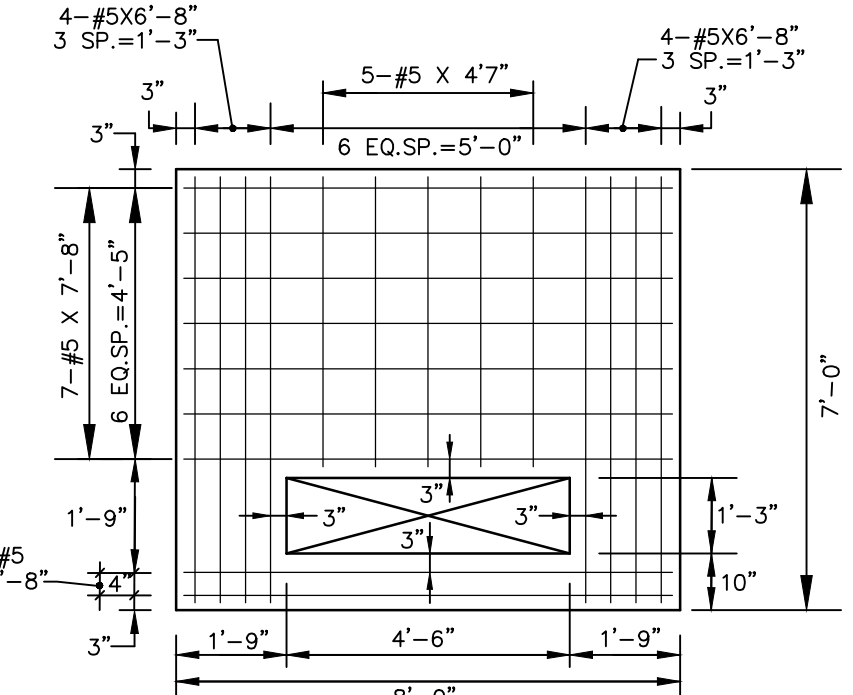


PLAN VIEW



SECTION

CONFIRM SIZE WITH ELECTRIC COMPANY PRIOR TO CONSTRUCTION

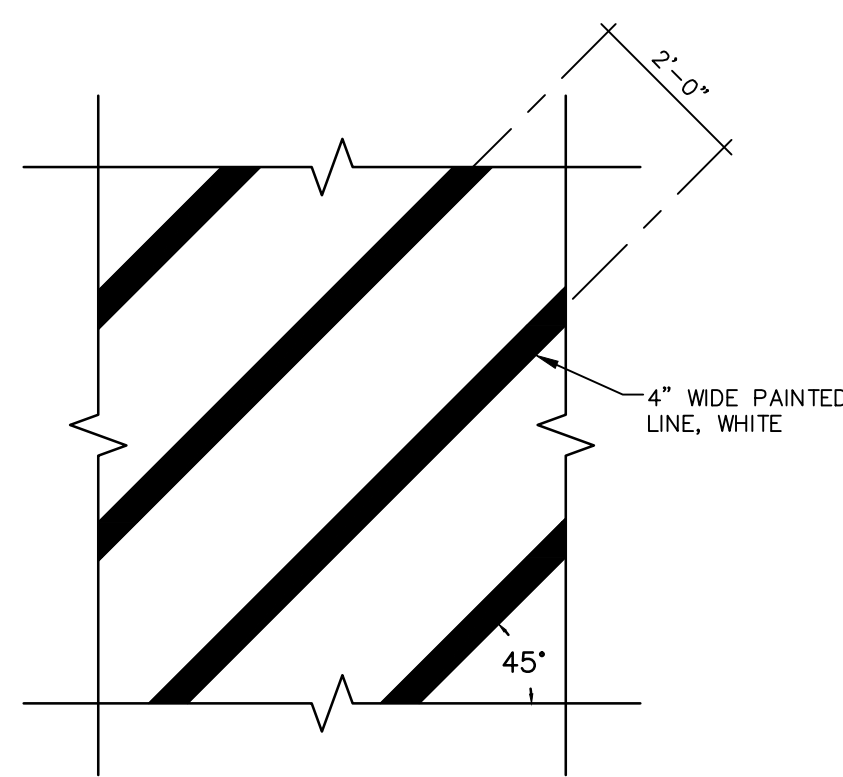


PLAN OF REINFORCING

TRANSFORMER PAD

N.T.S.

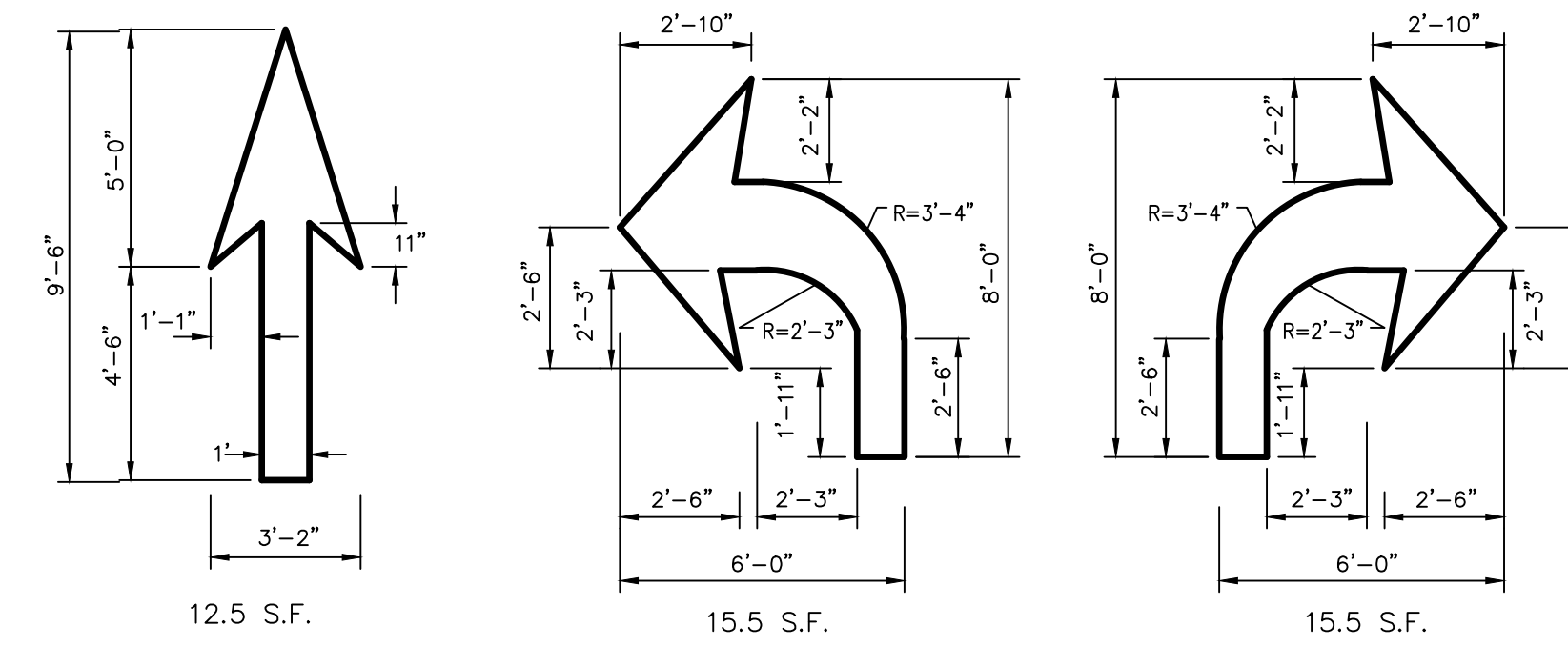
BLLE-001



PAINTED STRIPE

SCALE: NTS

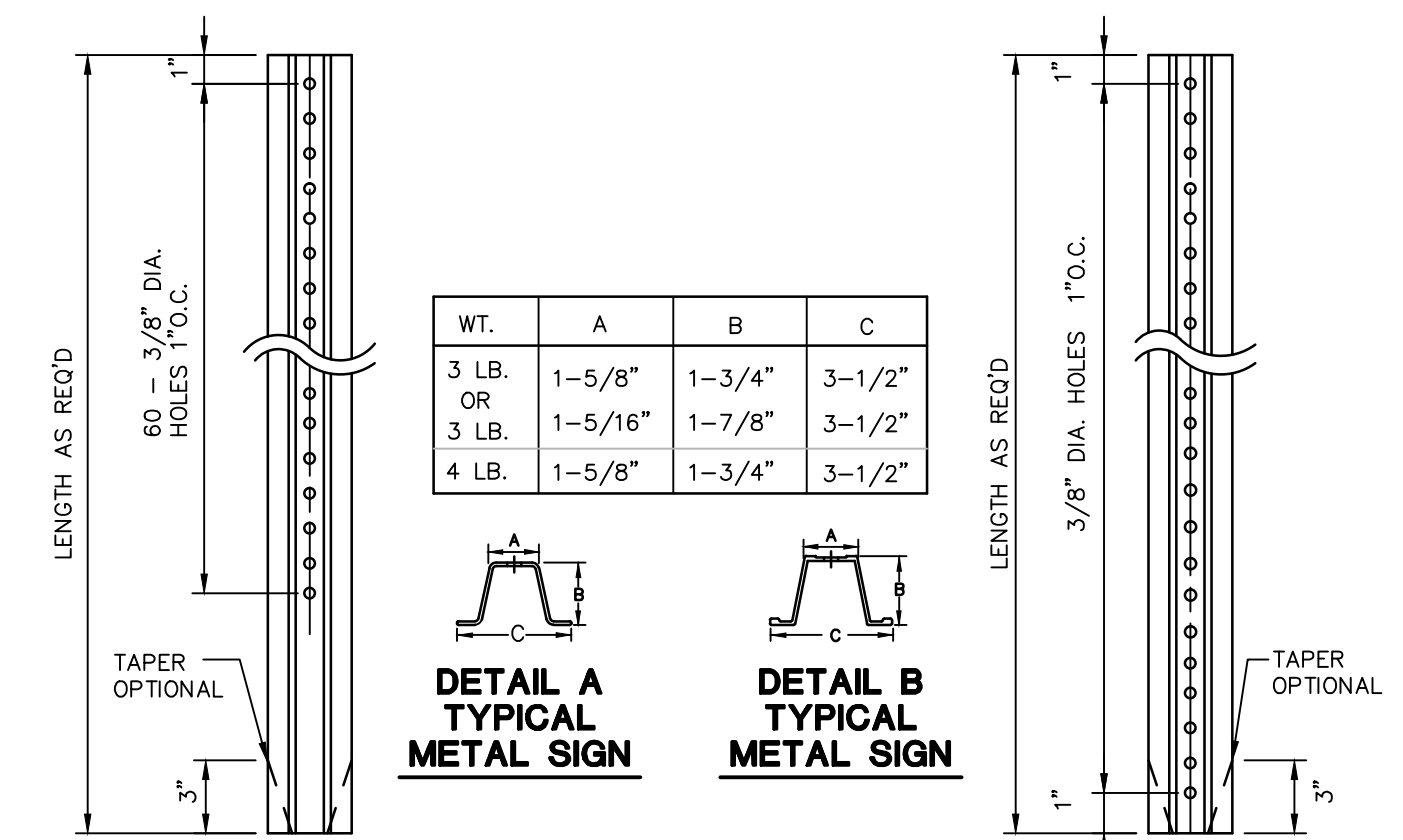
0910



PAVEMENT ARROW DETAILS

SCALE: NTS

BLPC-006



DETAIL A HOLE LOCATION

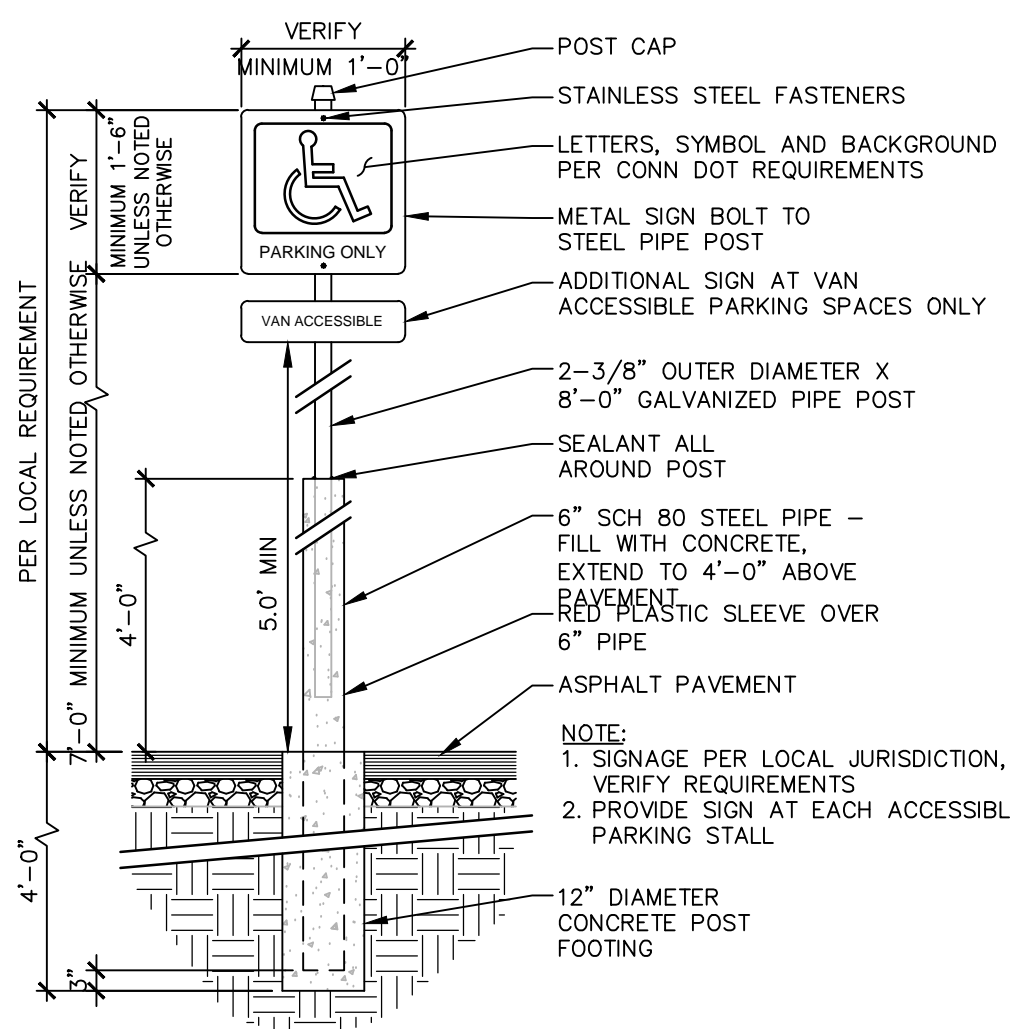
DETAIL B HOLE LOCATION

- NOTES:**
- STEEL FOR POSTS SHALL CONFORM TO THE MECHANICAL REQUIREMENTS OF ASTM A 499-81 GRADE 60 AND TO THE CHEMICAL REQUIREMENTS OF ASTM A1-78 CARBON STEEL TEE RAIL HAVING NOMINAL WEIGHT OF 91 LBS OR GREATER PER LINEAR YARD.
 - AFTER FABRICATION ALL STEEL POSTS SHALL BE GALVANIZED TO MEET THE REQUIREMENTS OF ASTM A-123.
 - SIGN MOUNTING HEIGHT TO BE APPROVED BY THE ENGINEER.
 - ALL SIGNS IN STATE ROW TO MEET CDOT SPECIFICATIONS FOR BREAKAWAY SIGNS. SEE CDOT STANDARD DETAIL SHEET 'TYPICAL METAL SIGN POSTS AND SIGN MOUNTING DETAILS' AND CDOT FORM 816

TYPICAL METAL SIGN POSTS

SCALE: NTS

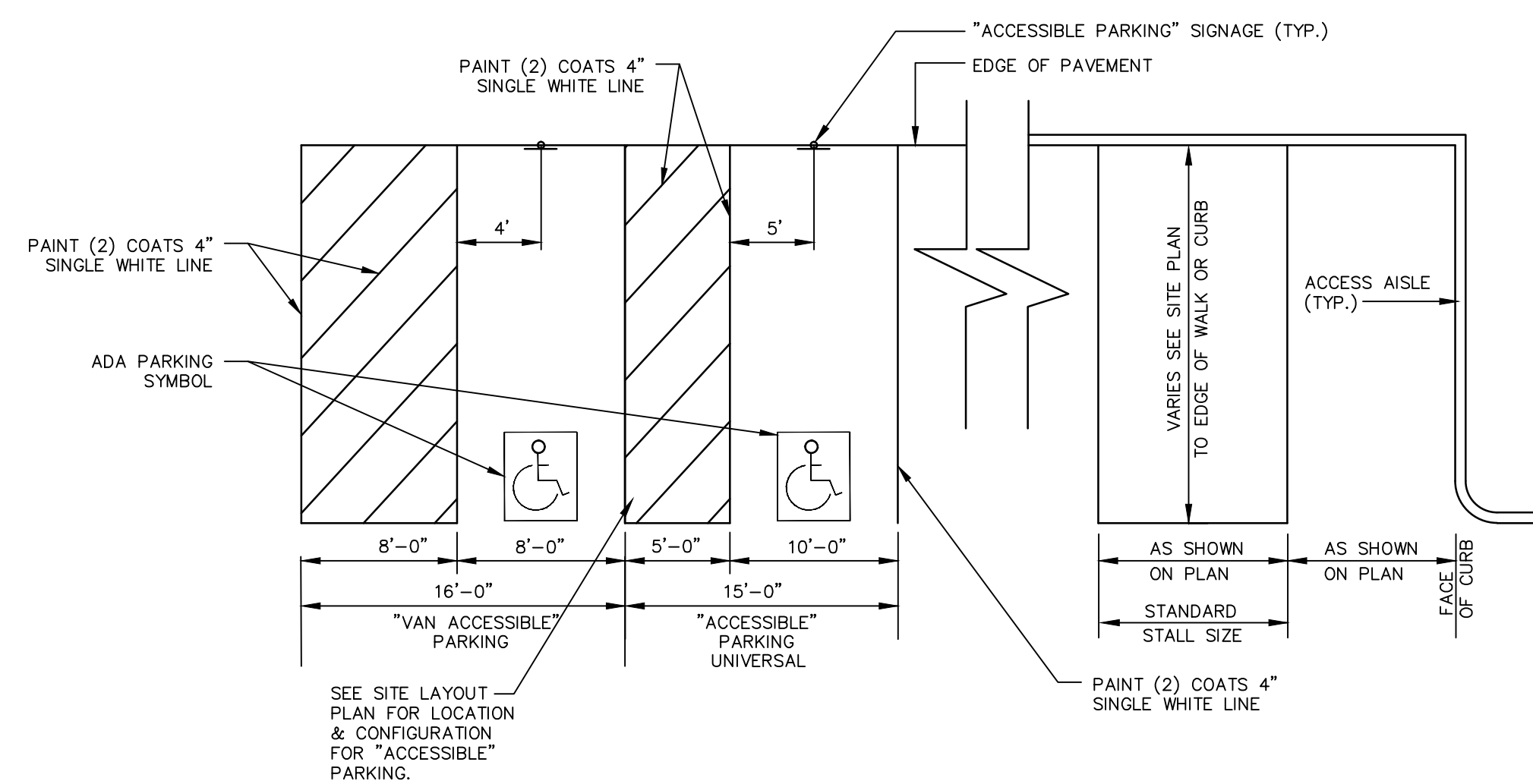
BLSD-001



ADA ACCESSIBLE PARKING SIGN

SCALE: NTS

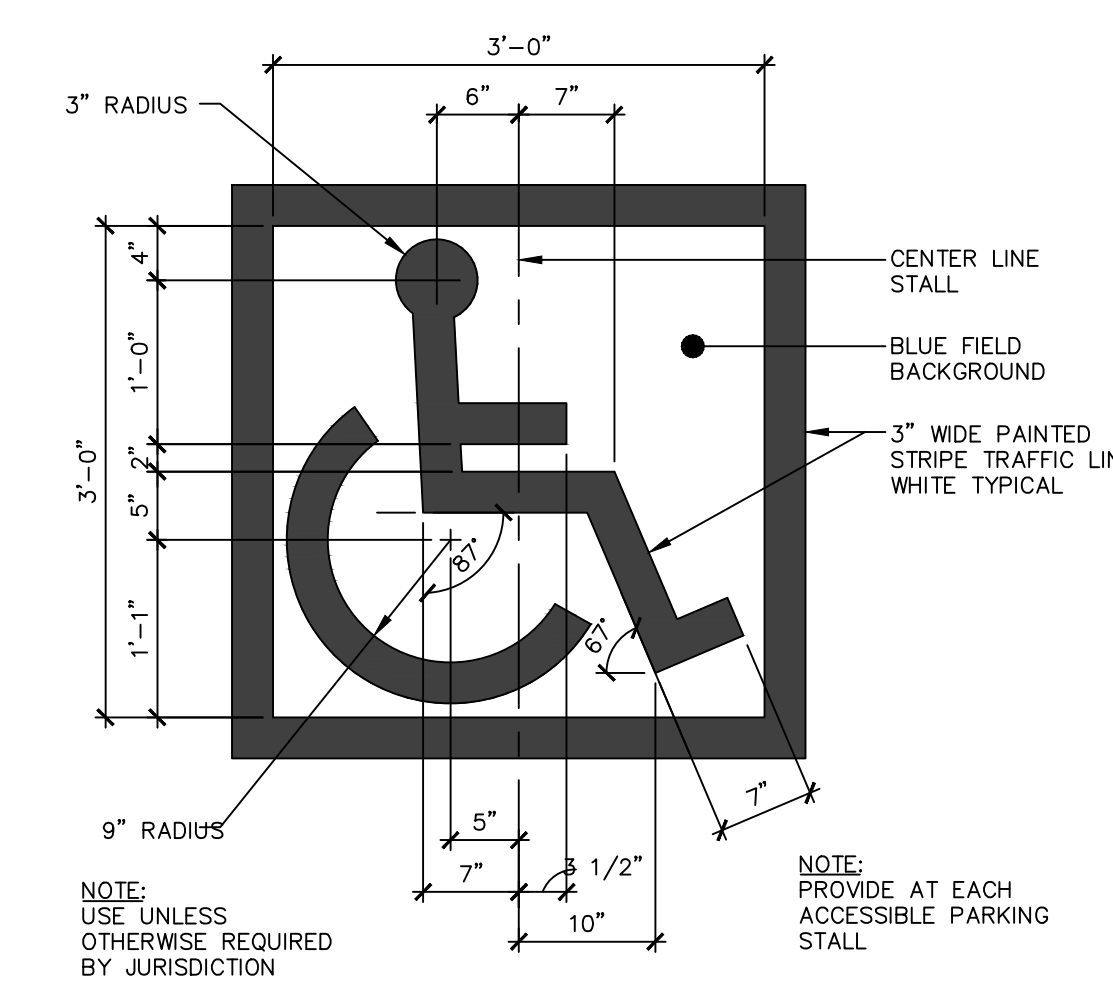
1210



TYPICAL ACCESSIBLE AND STANDARD PARKING SPACE

SCALE: NTS

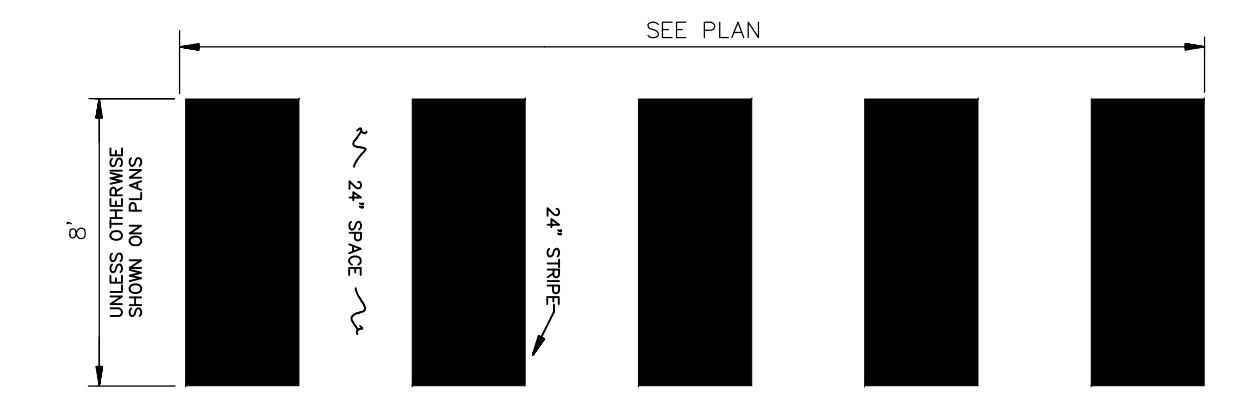
1210



ADA PARKING SYMBOL

SCALE: NTS

1210



CROSSWALK MARKINGS

SCALE: NTS

**FOR PERMITTING PURPOSES ONLY
NOT RELEASED FOR CONSTRUCTION**