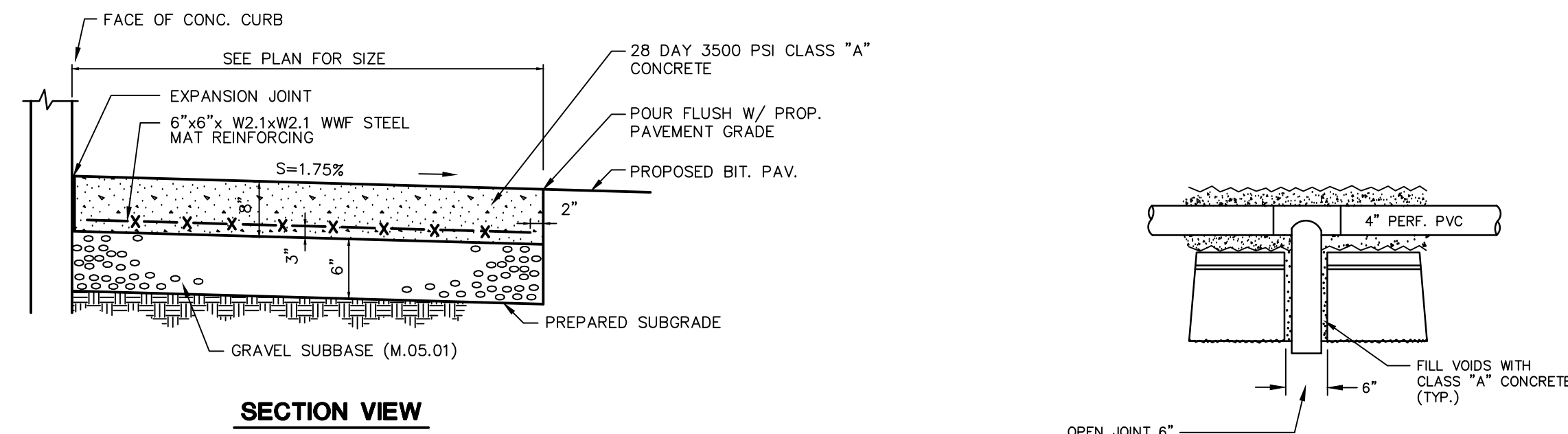


STANDARD SHALLOW SANITARY MANHOLE

N.T.S. BLSS-004

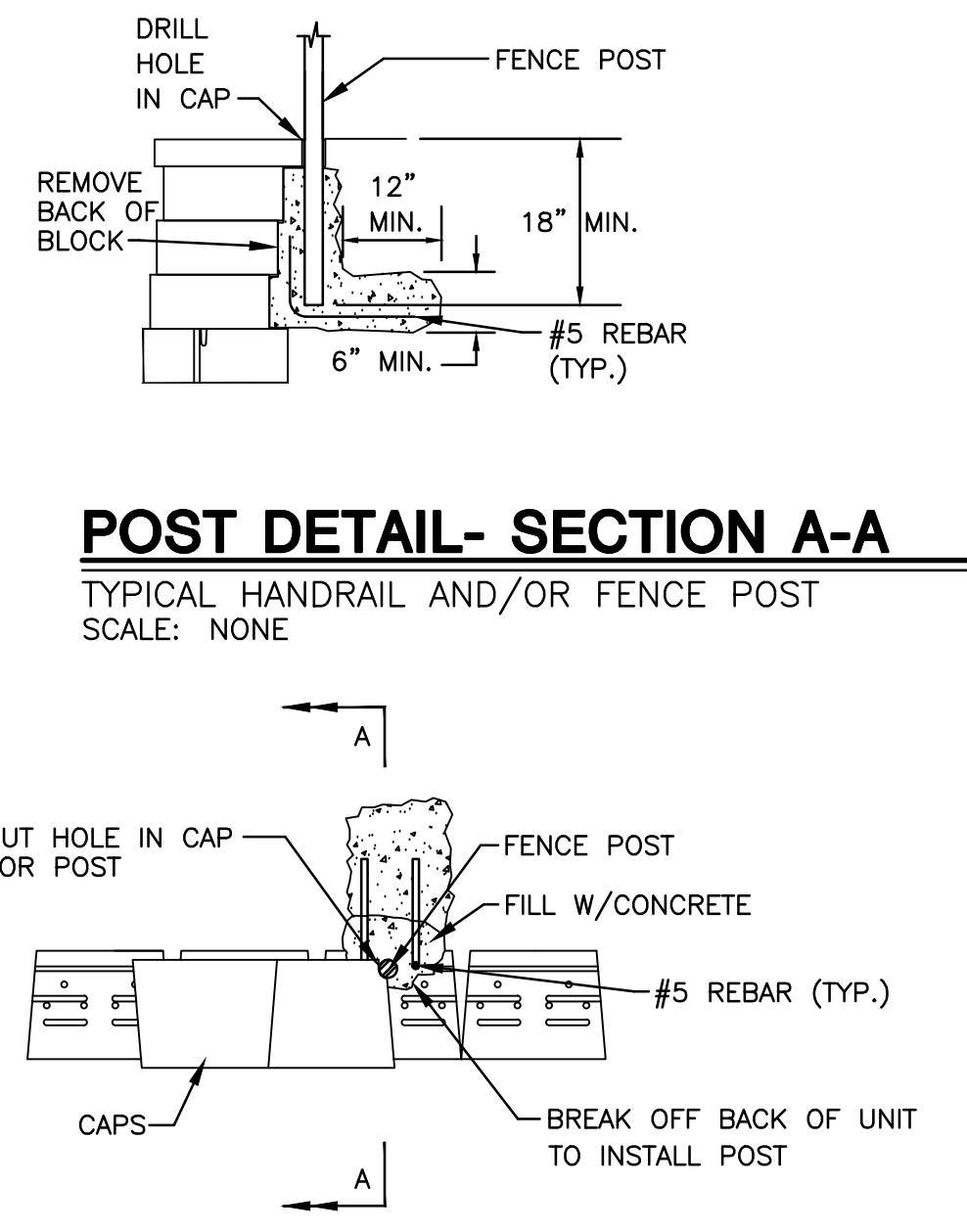


CONCRETE DUMPSTER PAD AND CONCRETE PAVEMENT

N.T.S. BLPC-002

RETAINING WALL DRAIN DETAIL

SCALE: N.T.S.

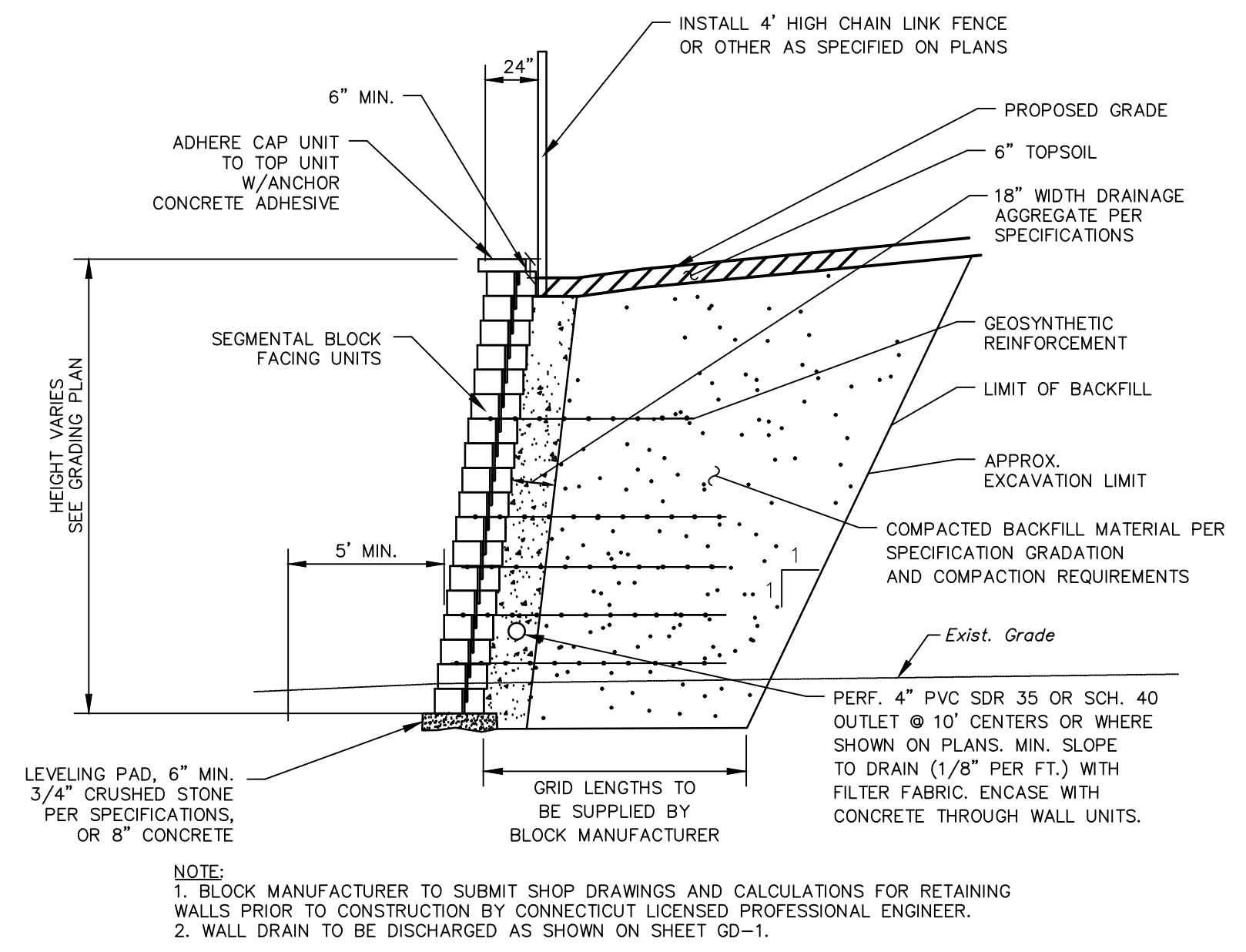


POST DETAIL- PLAN VIEW

TYPICAL HANDRAIL AND/OR FENCE POST SCALE: NONE

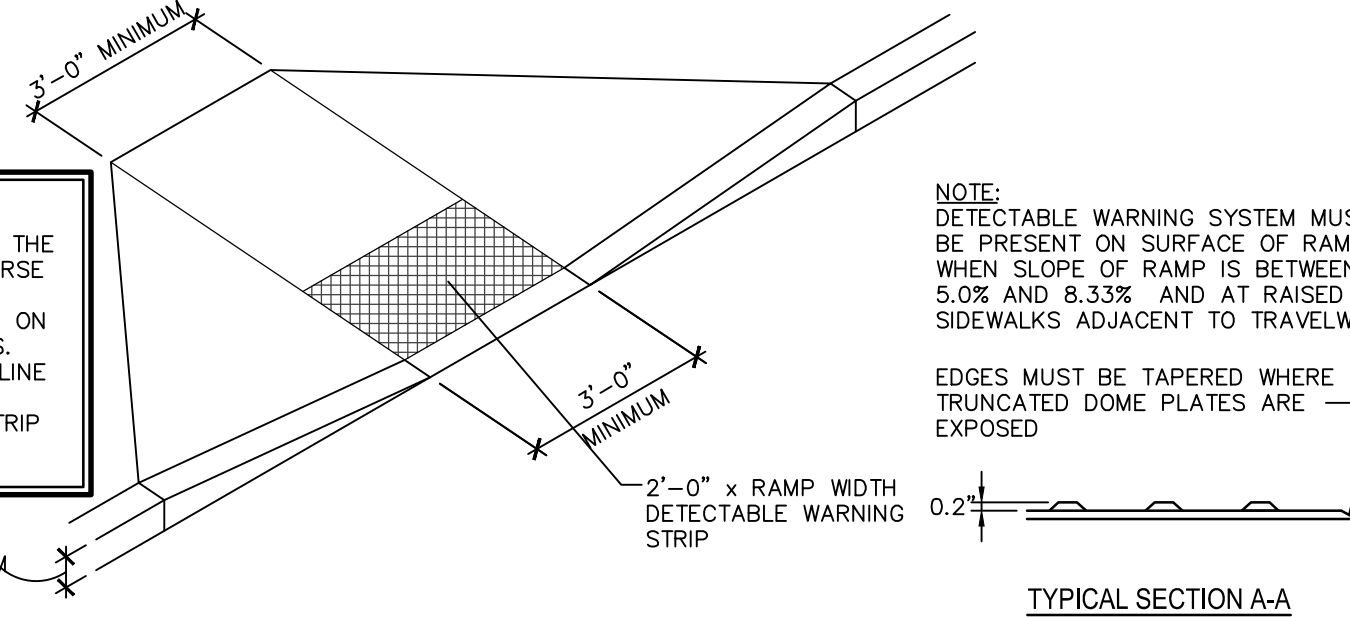
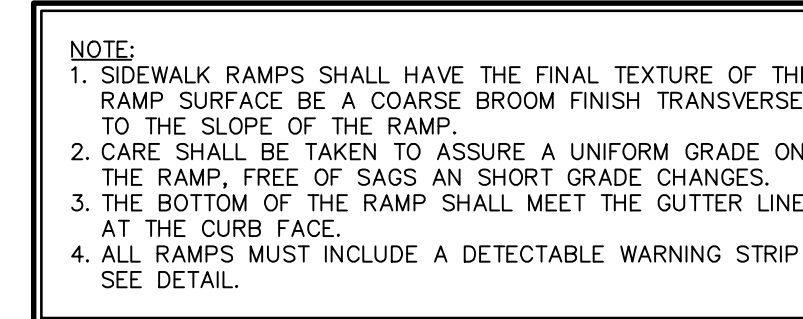
GENERAL NOTES

- STRIP ALL VEGETATION AND ORGANIC SOIL FROM THE WALL AND GRID ALIGNMENT.
 - BENCH CUT ALL EXCAVATED SLOPES.
 - DO NOT OVER EXCAVATE UNLESS DIRECTED BY SITE SOIL ENGINEER TO REMOVE UNSUITABLE SOIL.
 - SITE SOIL ENGINEER SHALL VERIFY FOUNDATION SOILS AS BEING COMPETENT PER THE DESIGN STANDARDS AND PARAMETERS.
 - LEVELING PAD SHALL CONSIST OF 3/4" FOUNDATION STONE, MINIMUM 6" THICK, MINIMUM 2000 PSI CONCRETE, OR MINIMUM 6" OF 3/4" CRUSHED STONE.
 - MINIMUM EMBEDMENT OF WALL BELOW FINISH GRADE SHALL BE 24".
 - FOLLOW APPLICABLE PROVISIONS OF THE MANUFACTURERS INSTALLATION INSTRUCTIONS AND WRITTEN SPECIFICATIONS.
 - WHERE DRAIN PIPE IS USED, PROVIDE OUTLETS AS SHOWN ON WALL ELEVATIONS.
 - COMPACTION TESTS SHALL BE TAKEN AS THE WALL IS INSTALLED. THE MINIMUM NUMBER OF TESTS SHALL BE DETERMINED BY THE SITE SOILS ENGINEER, OR AS INDICATED IN THE SPECIFICATION.
 - COMPACTION SHALL BE 95% OF MAXIMUM DRY DENSITY PER AASHTO T-99.
 - GEORGRID SHALL BE PER BLOCK MANUFACTURER'S DESIGN ON SHOP DRAWINGS.
 - PULL GEORGRID TIGHT PRIOR TO BACK FILLING. LENGTH OF GEORGRID SHALL BE MEASURED FROM FRONT OF SEGMENTAL CONCRETE UNITS.
 - PROVIDE LATERAL DRAINAGE SWALES TO DIRECT FLOWS AROUND THE ENDS OF THE WALL.
 - ESTABLISH TURF AS SOON AS THE WALL IS COMPLETED.
 - FINAL WALL ALIGNMENT SHALL BE LOCATED IN THE FIELD.
 - REINFORCED BACK FILL REQUIREMENTS FOR THE SEGMENTAL CONCRETE RETAINING WALL SHALL CONFORM TO THE FOLLOWING SPECIFICATIONS:
- | SIEVE SIZE | PERCENT PASSING REINFORCED BACK FILL |
|------------|--------------------------------------|
| 5 INCH | 100 |
| 3-1/2 INCH | 90-100 |
| 1-1/2 INCH | 55-95 |
| 1/4 INCH | 25-60 |
| NO. 10 | 15-45 |
| NO. 40 | 5-25 |
| NO. 100 | 0-10 |
| NO. 200 | 0-5 |
- PLASTICITY INDEX (PI) LESS THAN OR EQUAL TO 10 AND A LIQUID LIMIT LESS THAN OR EQUAL TO 40. REINFORCED BACK FILL SHALL BE PLACED AND COMPACTED IN LIFTS NOT EXCEEDING 10 INCHES. REINFORCED BACK FILL SHALL BE COMPACTED TO 95 PERCENT OF THE MAXIMUM DENSITY AS DETERMINED BY AASHTO T-99. THE MOISTURE CONTENT OF THE BACK FILL MATERIAL PRIOR TO AND DURING COMPACTION SHALL BE WITHIN 2 PERCENTAGE POINTS OF DRY OPTIMUM.
- IF CONDITIONS ARE DIFFERENT THAN THOSE STATED IN THESE DRAWINGS AND SPECIFICATIONS, THE CONTRACTOR MUST CONTACT THE ENGINEER PRIOR TO PROCEEDING WITH THE CONSTRUCTION OF THE WALL.



TYPICAL RETAINING WALL SECTION

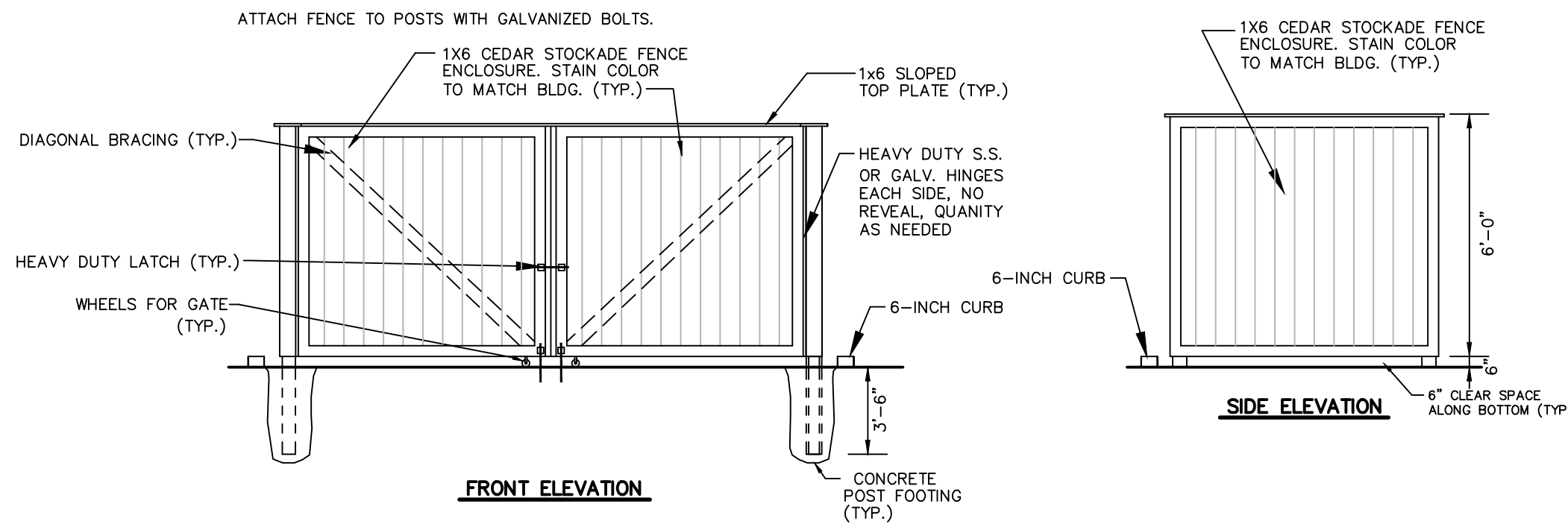
N.T.S.



DETECTABLE WARNING STRIP

SCALE: N.T.S.

0108

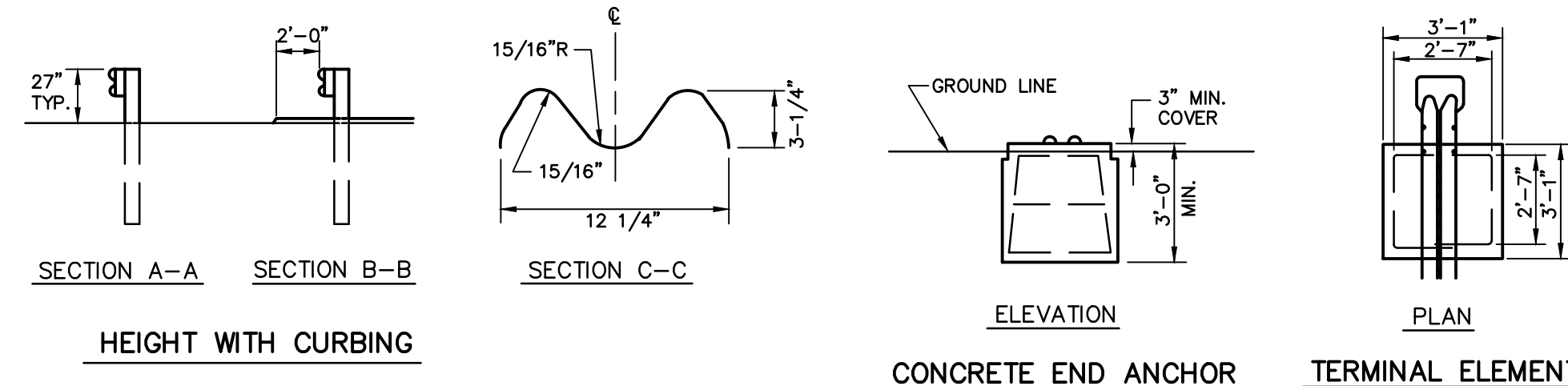


FRONT ELEVATION

SIDE ELEVATION

TRASH ENCLOSURE PLAN

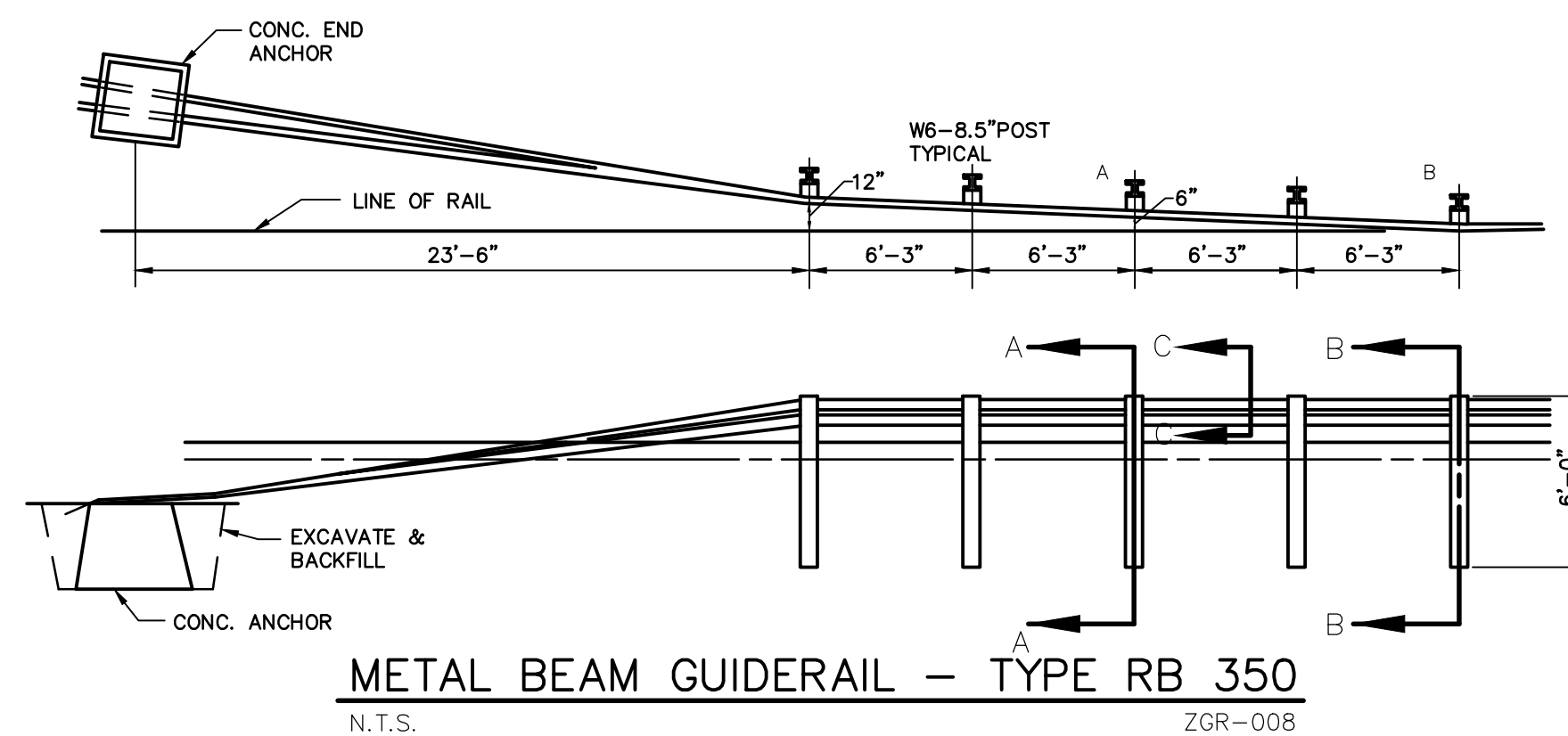
N.T.S. BLSE-004



HEIGHT WITH CURBING

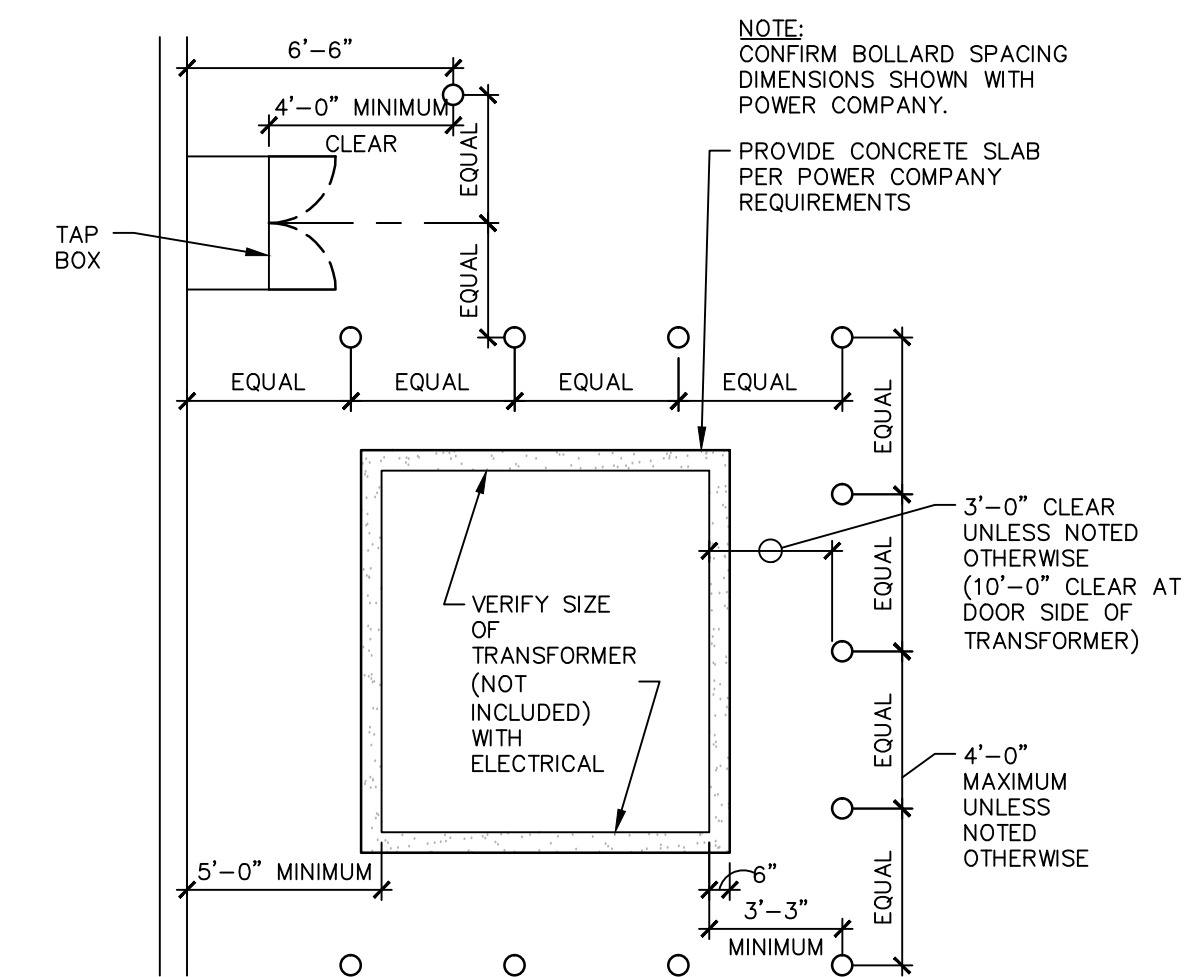
CONCRETE END ANCHOR

TERMINAL ELEMENT



METAL BEAM GUIDERAIL - TYPE RB 350

N.T.S. ZGR-008

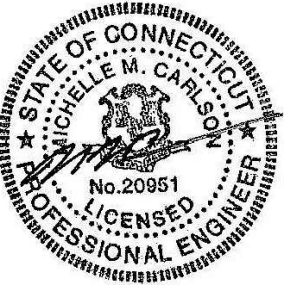


BOLLARDS AT TRANSFORMER

SCALE: N.T.S.

1211

**FOR PERMITTING PURPOSES ONLY
NOT RELEASED FOR CONSTRUCTION**



Desig: GENERAL REVISION

REVISIONS
No. 1 Date: 1/22/16

Designed: ---
Drawn: ---
Checked: ---
Approved: ---
Scale: 1"=40'
Project No: 14C4892
Date: 1/4/16

CAD File: DN14C489201

Title: SITE DETAILS

Sheet No.