

#### Specifier's Reference

Project
Type
Model No.
Comments

#### application

- The WTL LED Large Full Cutoff Wall Light offers a sleek design and cutoff performance with a wide range of uses. It delivers the lighting needed for the exteriors of retail buildings, businesses, walkways, underpasses or entrance doors.

#### construction/finish

- Heavy duty die cast aluminum housing.
- Die cast aluminum door frame with tempered glass lens.
- Die cast aluminum heat sink designed for excellent thermal transfer to extend component life.
- Silicone gasketing provides protection against moisture.
- Quick mount wall plate mounts directly to 3-1/2" octagon or 4" square outlet box for easy installation.
- Polyester powder finish for impact, corrosion and UV resistance.
- Furnished with surge protector.
- Components are RoHS compliant.
- LED light engine and driver are field replaceable.

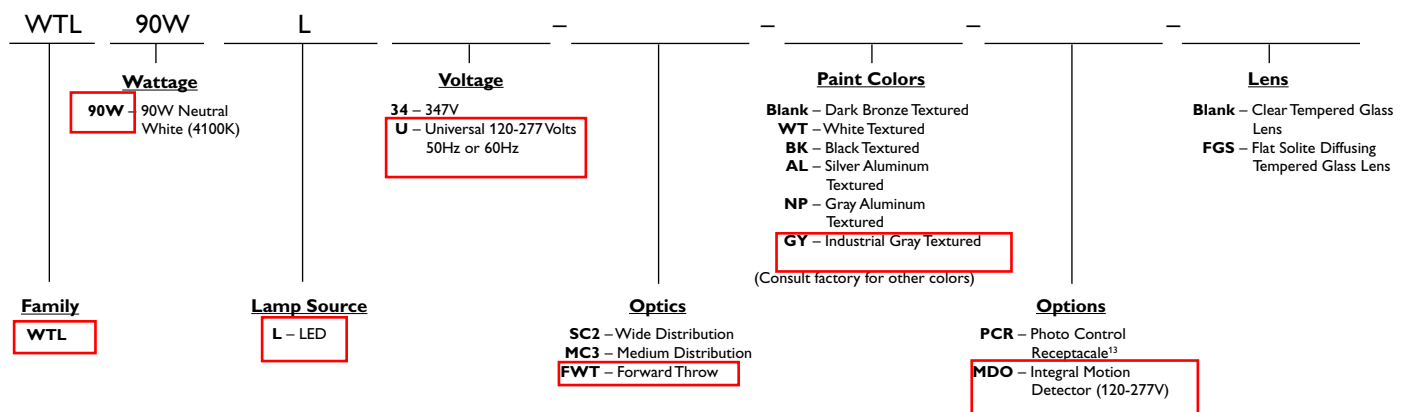
#### electrical

- Certified to meet UL 1598 standards for wet location and 25°C ambient.

#### warranty

- 5 Year Limited Warranty.

### Green Choice: WTL90WLU-MC3-AL



#### Accessories (Order Separately)

- PC-MT** - Photo Control Twist Lock, Multi-volt (must have PCR Option)
  - PCR-SC** - PCR Shorting Cap
- (For additional descriptions of Wall Light accessories refer to Sheet number OA-50030.)

#### General Notes:

All options are factory installed.  
All accessories are field installed.  
Data subject to change without notice.

#### Footnotes:

<sup>13</sup>Order twist lock photo control separately.

#### Predicted L<sub>70</sub> Lifetime:

25°C Ambient->60,000 hours.  
40°C Ambient->60,000 hours (based upon LED manufacturer's supplied LM-80 data and in-situ laboratory testing).

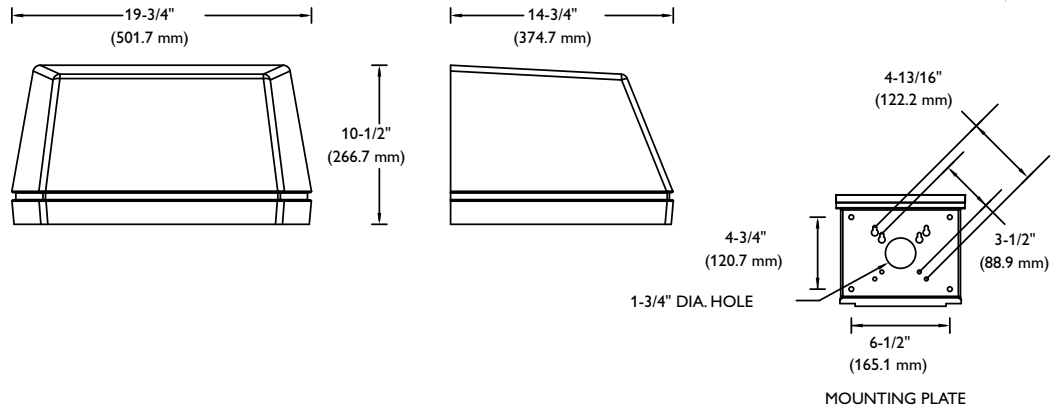


dimensions

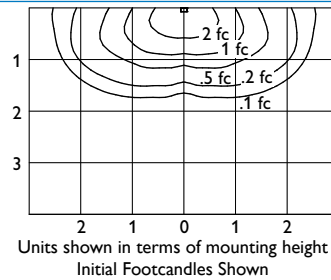
Light Level Multiplying Factors

Mounting Height	Multiplier
40'	0.39
35'	0.51
30'	0.69
25'	1.00
20'	1.56
15'	2.77

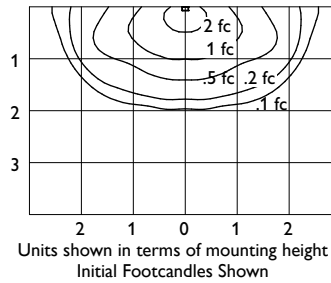
Note: Photometric values based on tests performed in compliance with LM-79



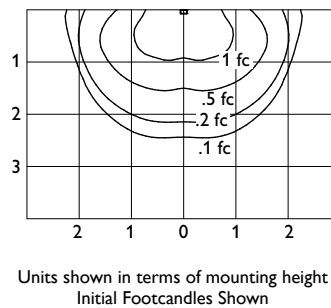
<b>Catalog No.</b>	WTL90WLU-SC2
<b>Test No.</b>	29280
<b>Lamp Type</b>	LED
<b>Wattage</b>	103
<b>Lumens</b>	5200
<b>Tilt Angle</b>	0°
<b>Mounting Height</b>	25 Feet



<b>Catalog No.</b>	WTL90WLU-MC3
<b>Test No.</b>	29324
<b>Lamp Type</b>	LED
<b>Wattage</b>	103
<b>Lumens</b>	5039
<b>Tilt Angle</b>	0°
<b>Mounting Height</b>	25 Feet



<b>Catalog No.</b>	WTL90WLU-FWT
<b>Test No.</b>	29325
<b>Lamp Type</b>	LED
<b>Wattage</b>	102
<b>Lumens</b>	4801
<b>Tilt Angle</b>	0°
<b>Mounting Height</b>	25 Feet



© 2013 Koninklijke Philips Electronics N.V. All rights reserved. Specifications are subject to change without notice.

WL-43161 03/13

Philips Lighting Company  
200 Franklin Square Drive  
Somerset, NJ 08873  
Phone: 855-486-2216

[www.philips.com/luminaire](http://www.philips.com/luminaire)

Philips Lighting Company  
281 Hillmount Road  
Markham ON, Canada L6C 2S3  
Phone: 800-668-9008

[www.philips.com/luminaire](http://www.philips.com/luminaire)