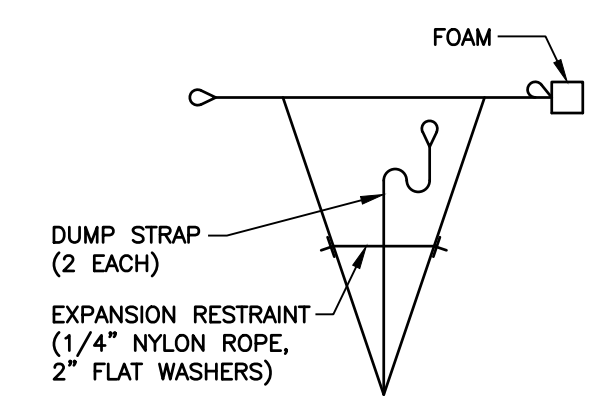
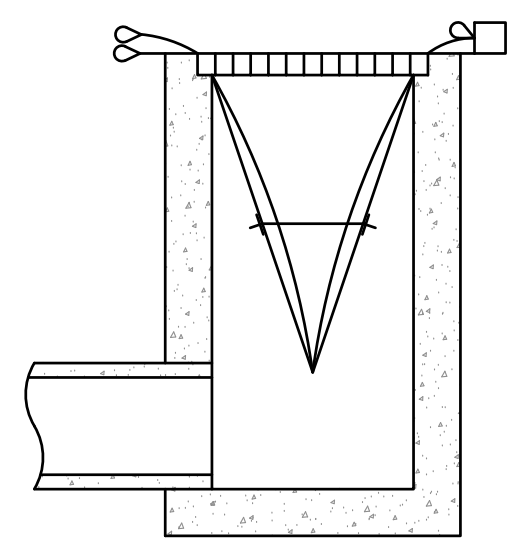


INSTALLATION SCHEMATIC



BAG DETAIL



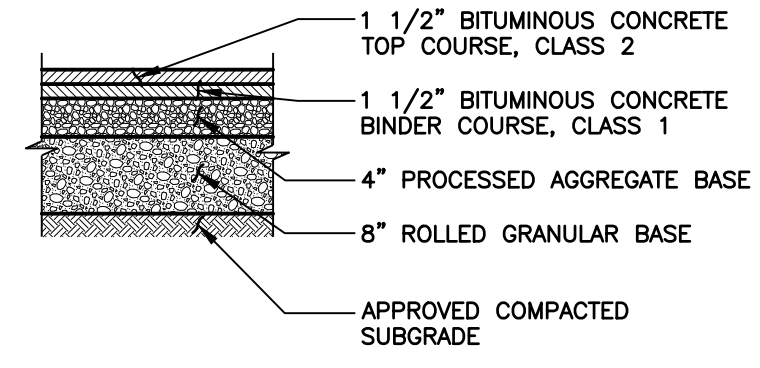
INSTALLATION DETAIL

AFTER TOP COURSE PAVING

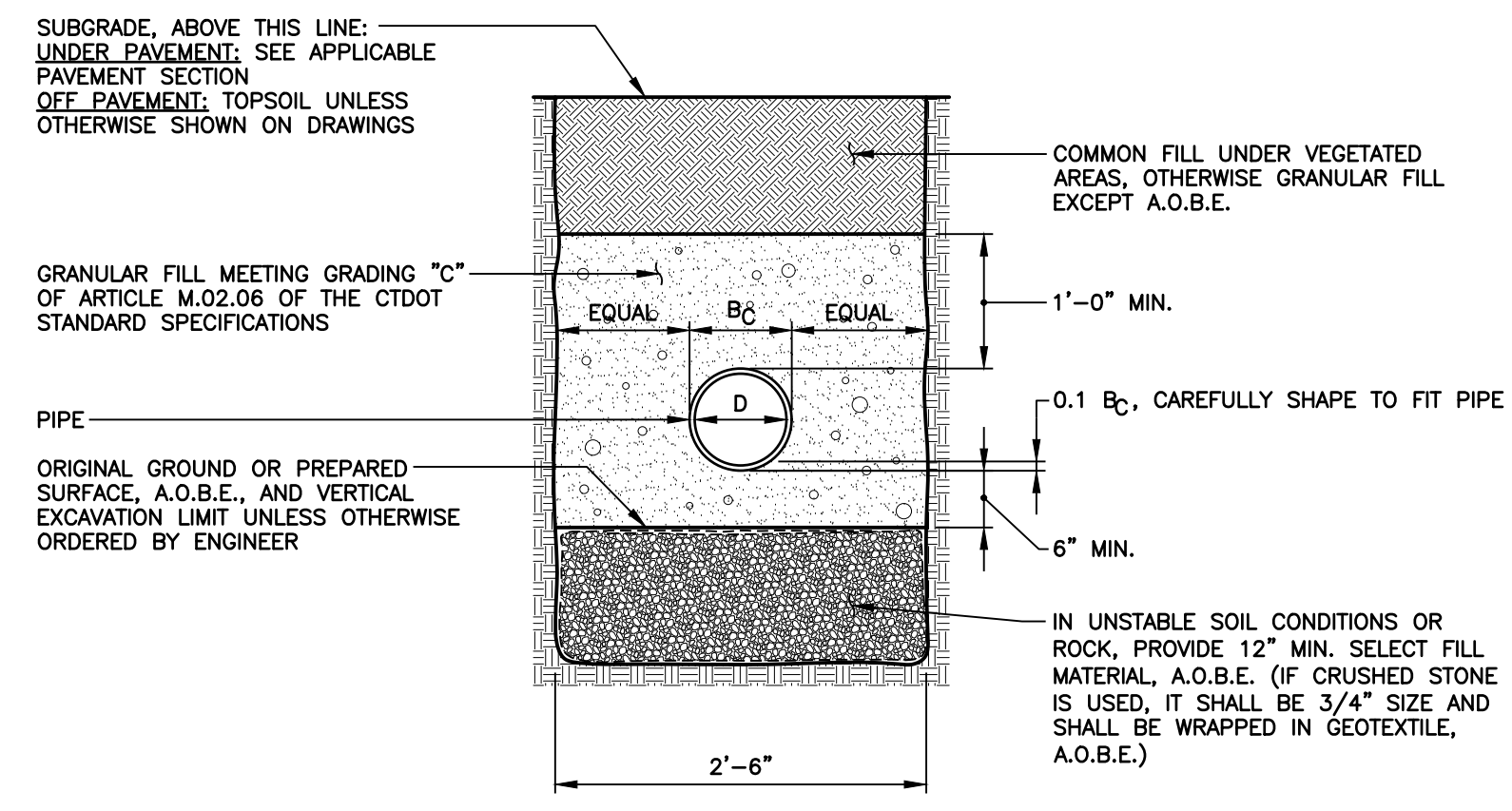
- NOTES:**
- FOR DRAINAGE STRUCTURES OFF PAVEMENT, THIS DETAIL APPLIES IMMEDIATELY AFTER THEIR CONSTRUCTION
 - REMOVE SEDIMENT WHEN HALF FULL.

SEDIMENTATION CONTROL AT DRAINAGE STRUCTURE

- NOTES:**
- TYPE "C" CATCH BASIN HEAD SHOWN FOR CLARITY ONLY. THIS DETAIL APPLIES TO ALL STORM DRAINAGE STRUCTURES WITH GRATES AS MAY BE SHOWN ON THE PLAN.

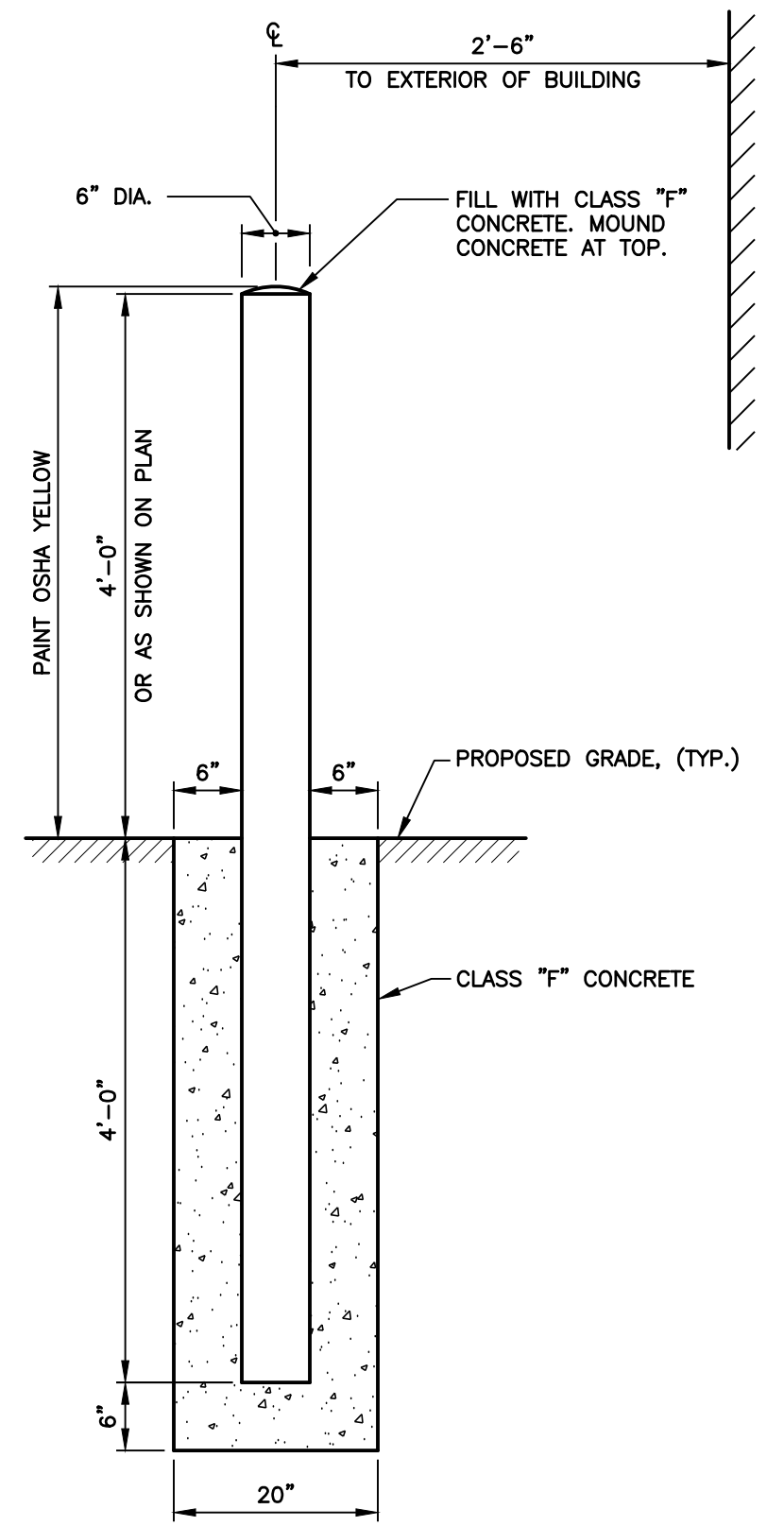


REGULAR BITUMINOUS CONCRETE PAVEMENT SECTION
N.T.S.



TYPICAL TRENCH SECTION ROOF LEADER PIPE
N.T.S.

- NOTES:**
- CONTRACTOR SHALL PROTECT EXCAVATIONS BY SHORING, BRACING, SHEET PILING, UNDERPINNING OR OTHER METHODS TO PREVENT CAVE-IN OR LOOSE SOIL FROM FALLING INTO THE EXCAVATION AND DAMAGING THE WORK OR ADJACENT STRUCTURES AND UTILITIES.



CAST IRON (C.I.) BOLLARD
N.T.S.

THIS DRAWING IS INTENDED TO BE USED FOR INFORMATION AND REVIEW PURPOSES ONLY AND IS NOT INTENDED TO BE USED FOR CONSTRUCTION.

TRUCK AND EQUIPMENT STORAGE BUILDING
117 NOD ROAD CLINTON, CONNECTICUT

DETAILS

PERMIT DRAWINGS (NOT FOR CONSTRUCTION)

ANY ALTERATIONS TO THIS DRAWING MADE WITHOUT THE EXPRESSED WRITTEN APPROVAL OF NATHAN L. JACOBSON & ASSOCIATES, INC. WILL BE AT THE SOLE RISK OF THE PERSON OR FIRM MAKING SUCH UNAUTHORIZED ALTERATIONS AND NATHAN L. JACOBSON & ASSOCIATES, INC. WILL NEITHER HAVE NOR ACCEPT ANY LIABILITY OR LEGAL EXPOSURE ARISING FROM SAID UNAUTHORIZED ALTERATIONS.

Nathan L. Jacobson & Associates, Inc.
88 Main Street P.O. Box 337
Chester, Connecticut 06412-0337
Tel: (860) 526-9591 Fax: (860) 526-5416
www.nlja.com
Consulting Civil and Environmental Engineers Since 1972

NOT VALID WITHOUT ORIGINAL SEAL

CT REGISTRATION No. ENGINEER NO.

© COPYRIGHT 2015 NATHAN L. JACOBSON & ASSOCIATES, INC. ALL RIGHTS RESERVED.

REVISIONS		
No.	DESCRIPTION	DATE
1	ADD DETAIL SHEET	02/04/16

DATE: OCTOBER 2015
SCALE: NONE
PROJECT No.: 02990310
CADD FILE: 02990310DT
DESIGNED: WMT
DRAWN: CEB
CHECKED: CEB

SHEET No.:
2 OF 2

I:\CA\2016\0101_Production Drawings\02990310DT.dwg, 02/04/16, 12:28:05 PM, AutoCAD 2011, (Default Document).plotted, 1:1